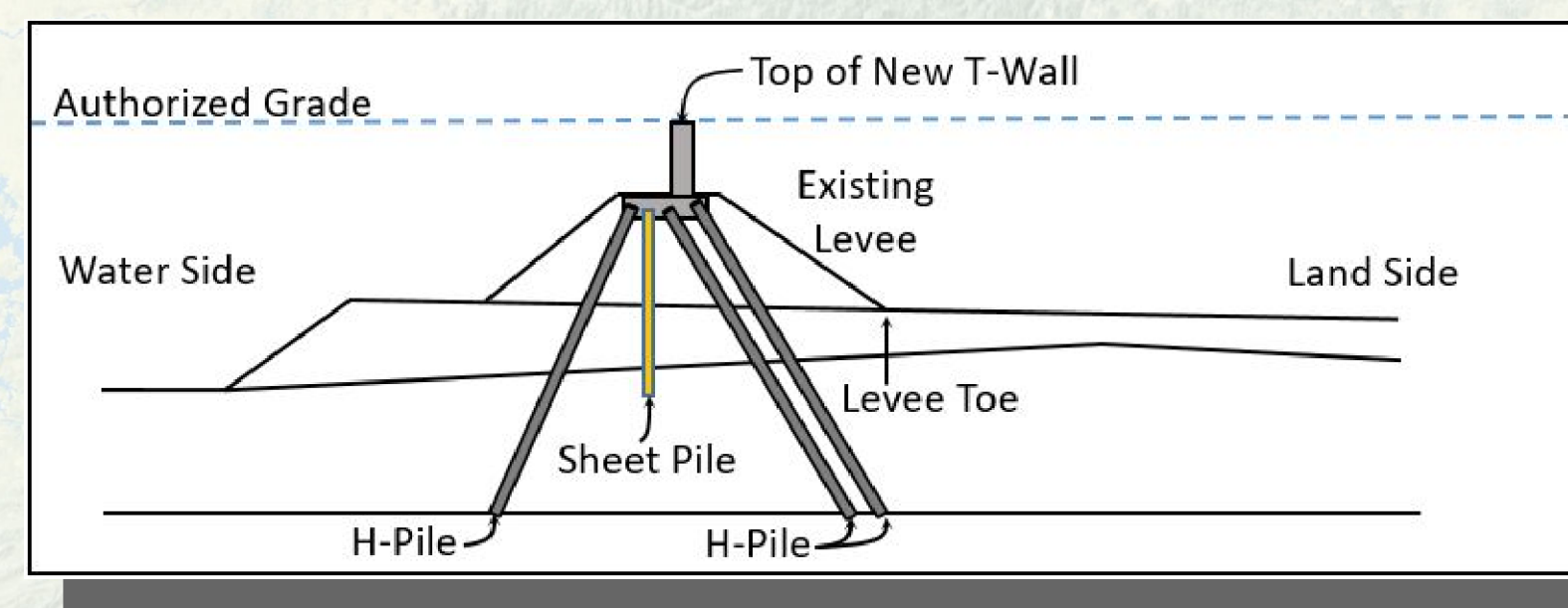
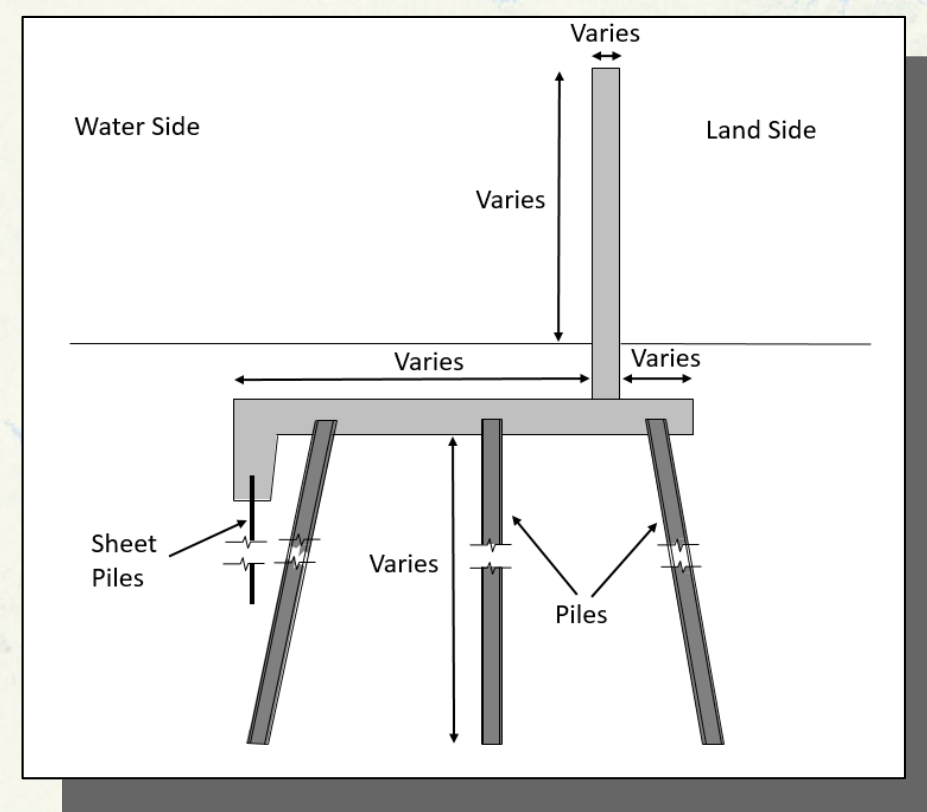


MR&T Mississippi River Levee & Floodwall Deficiencies

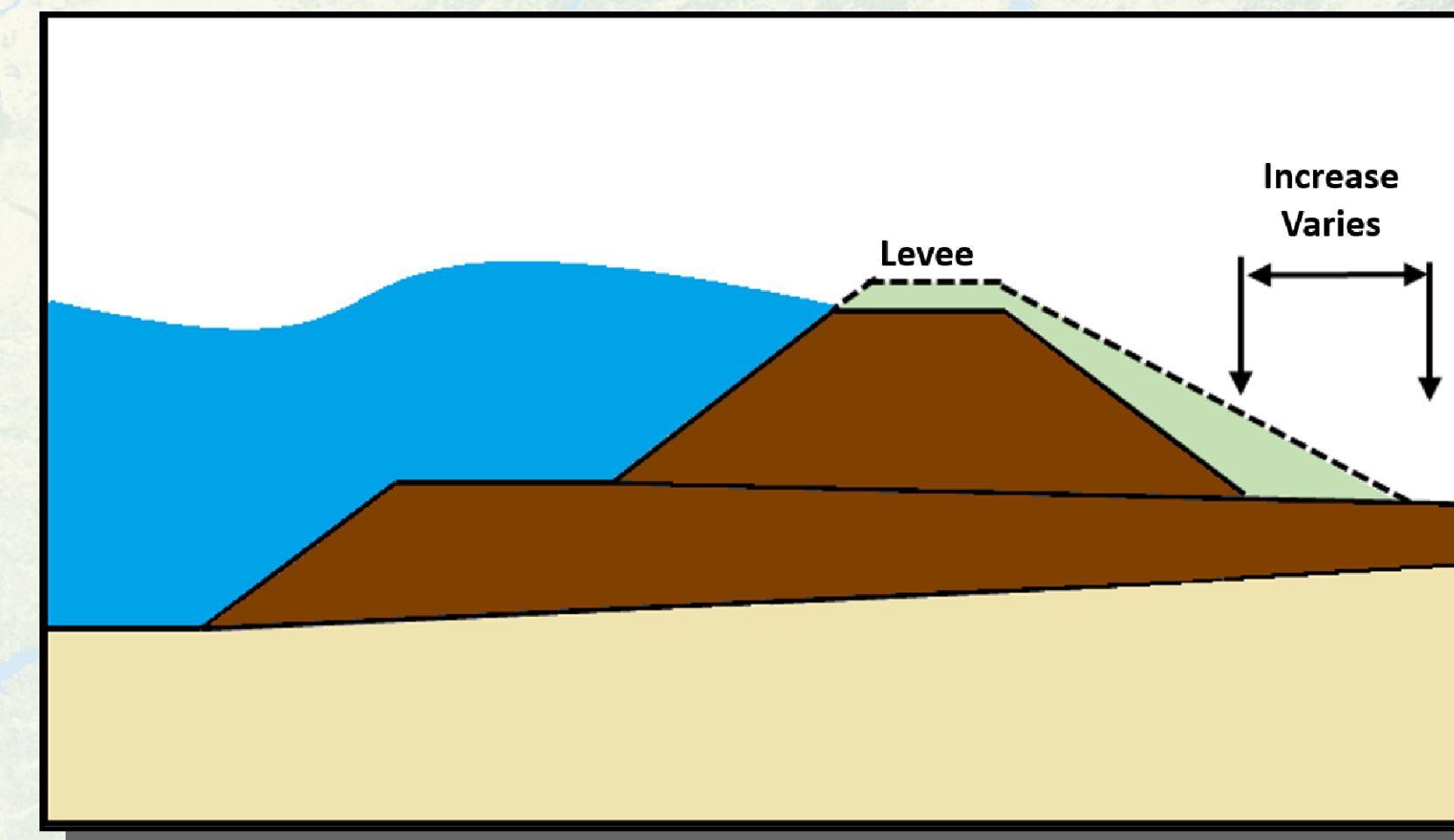
Floodwalls

Urban areas typically require floodwalls rather than levees to reduce impacts to residences and businesses. These floodwalls can have stability concerns or height deficiencies that must be addressed.



Levee Enlargement

Levee enlargements are conducted in locations where the existing levee is not at the authorized grade. Depending on the location of the project, these raises may occur on the landside, riverside, or straddle the existing levee section.



Slope Flattening

Areas with recurring levee slides require measures beyond ordinary O&M repairs. In these locations, the slopes of the levee will be flattened to reduce the chances of slide recurrence.

