





# Kammer Barge Station Two

Legend

Write a description for your map.



Mooring Cluster

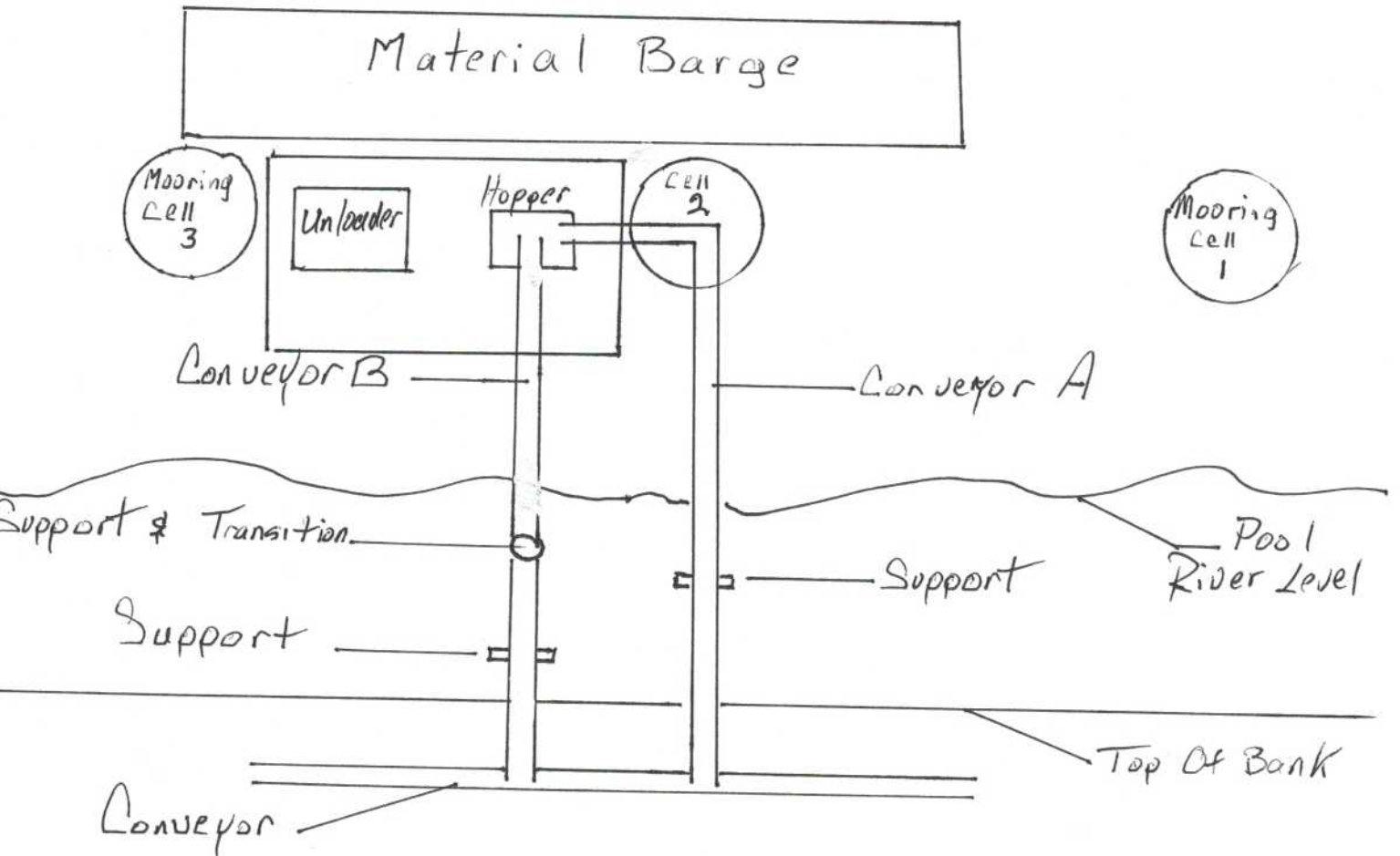




Application by S.P.I  
For Permit Modification  
January 28, 2022  
Permit # 1995-6  
OR Mile 110-112

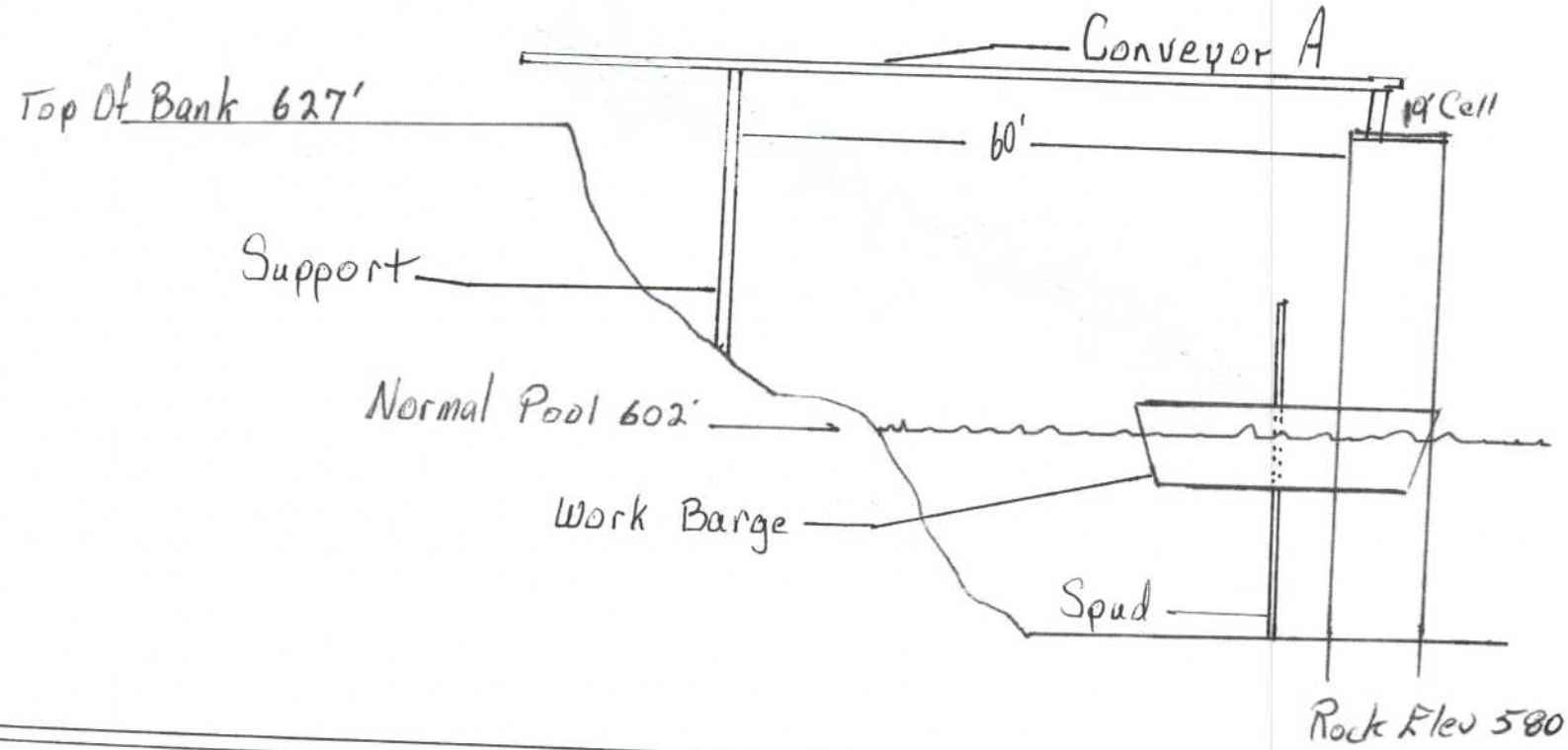
# Plan View

← Ohio River ←

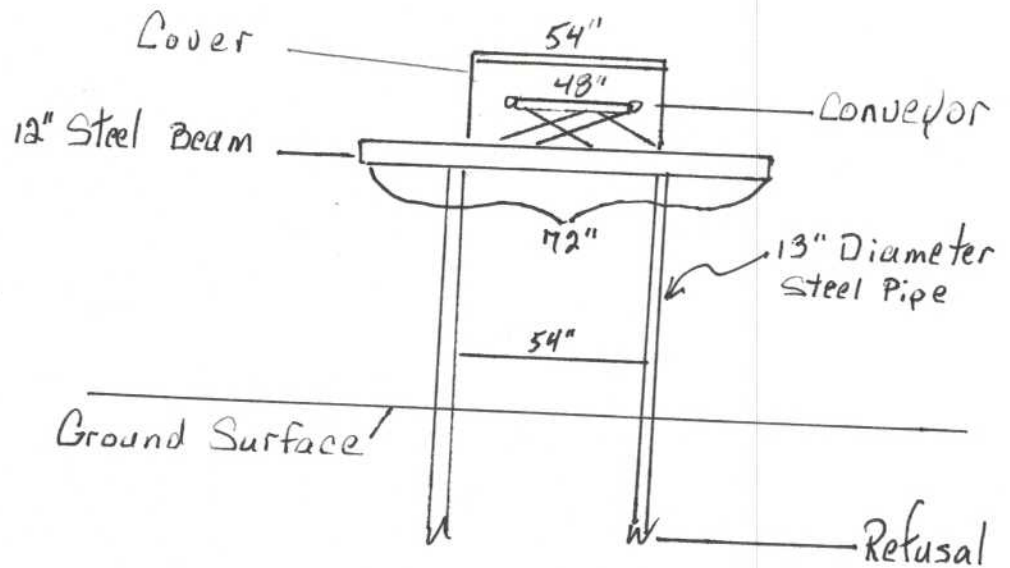


# Cross Sectional View A

Application by S.P.I.  
For Permit Modification  
January 28, 2022  
Permit # 1995-6  
OR Mile 110-112



# Typical Support



# Cross Sectional View B

Application by S.P.I.  
For Permit Modification  
January 28, 2022  
Permit # 1995-6  
OR Mile 110-112

