

---

**ENGINEERING APPENDIX  
PERIMETER PLAN CYCLE 2  
SCREENING ANALYSIS**

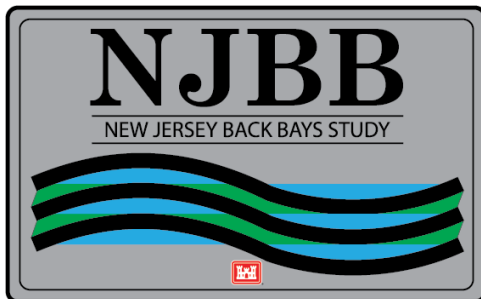
---

**NEW JERSEY BACK BAYS  
COASTAL STORM RISK MANAGEMENT  
FEASIBILITY STUDY**

**PHILADELPHIA, PENNSYLVANIA**

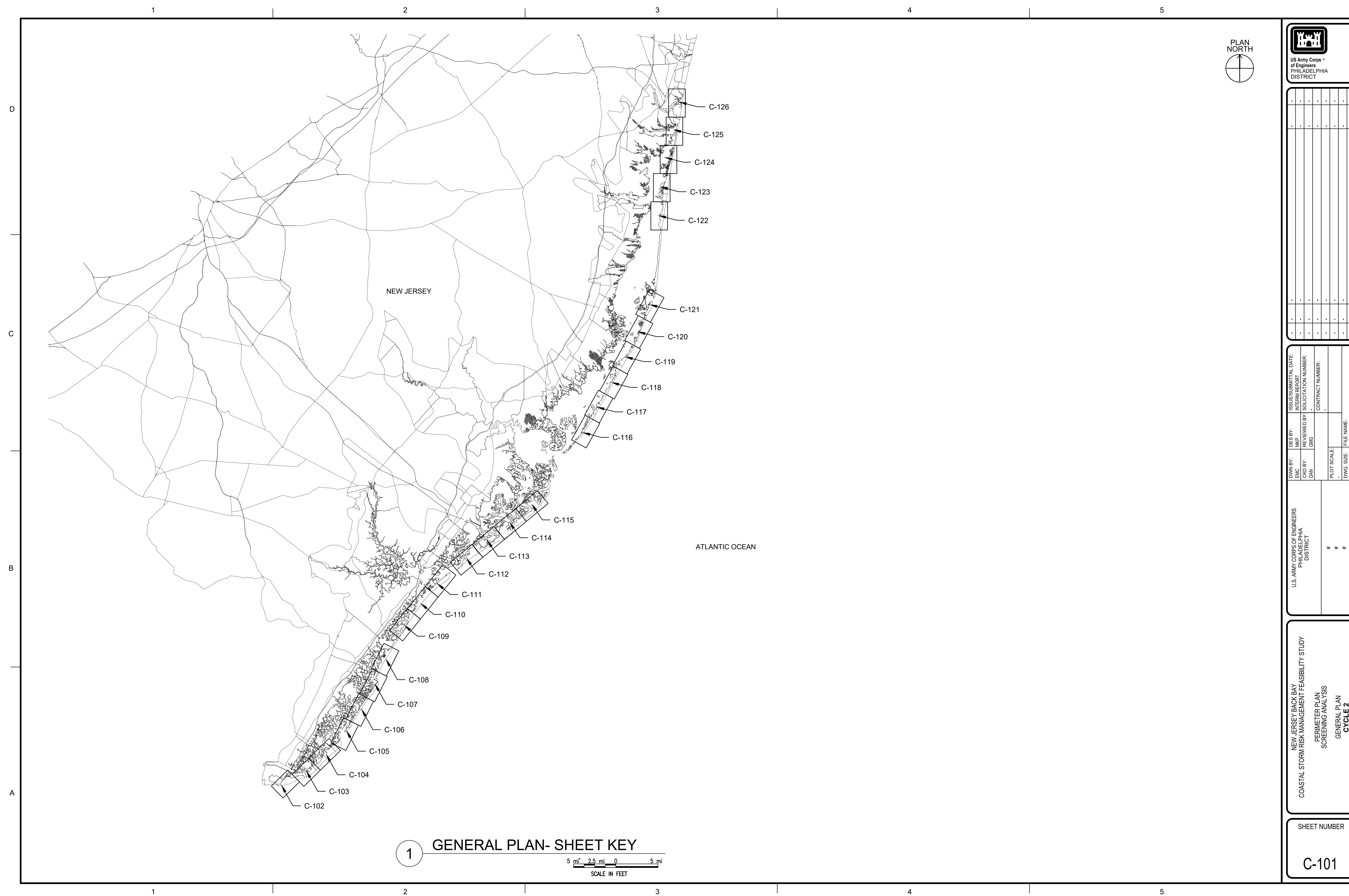
**APPENDIX B.7B**

**August 2021**



**U.S. Army Corps of Engineers  
Philadelphia District**

**THIS PAGE HAS BEEN INTENTIONALLY LEFT BLANK**



MARK	ACTION	DESCRIPTION	DATE	BY

U.S. ARMY CORPS OF ENGINEERS PHILADELPHIA DISTRICT	DESIGN BY: MJP	ISSUE/SUBMITTAL DATE: INTERIM REPORT
CRD BY: DN	REVIEWED BY: GIS	SOLICITATION NUMBER: .
DWG. SIZE: 22x34 ANSI D	CONTRACT NUMBER: .	FILE NAME: FN
#	#	#

NEW JERSEY BACK BAY  
COASTAL STORM RISK MANAGEMENT FEASIBILITY STUDY  
PERIMETER PLAN  
SCREENING ANALYSIS  
GENERAL PLAN  
**CYCLE 2**

SHEET NUMBER  
**C-101**

1 GENERAL PLAN- SHEET KEY

5 mi 2.5 mi 0 5 mi  
SCALE IN FEET



MARK	ACTION	DESCRIPTION	DATE	BY

ISSUE/SUBMITTAL DATE:	DESIGN BY:	U.S. ARMY CORPS OF ENGINEERS
INTERIM REPORT	MGP:	PHILADELPHIA
	REVIEWED BY:	DISTRICT
	GIS	
	SOLICITATION NUMBER:	
	CONTRACT NUMBER:	
	PLOT SCALE:	#
	1"=500'	#
	DWG. SIZE:	#
	11x17	#
	FILE NAME:	
	22x34 ANSI D FN	

NEW JERSEY BACK BAY  
COASTAL STORM RISK MANAGEMENT FEASIBILITY STUDY  
PERIMETER PLAN  
SCREENING ANALYSIS  
PERIMETER PLAN

SHEET NUMBER  
**C-102**

**1 PERIMETER PLAN**  
600' 300' 0 600'  
SCALE IN FEET

**LEGEND:**

— TYPE A

— TYPE B

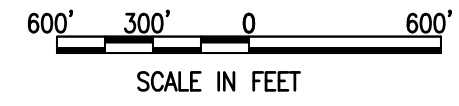
— TYPE C

MATCHLINE  
RE. C-103

MATCHLINE  
RE: C-102

MATCHLINE  
RE: C-104

1 PERIMETER PLAN



**LEGEND:**

	TYPE A
	TYPE B
	TYPE C

A B C D

1 2 3 4 5



MARK	ACTION	DESCRIPTION	DATE	BY

DESIGNED BY: MRP	ISSUE/SUBMITTAL DATE:
CREATED BY: DN	INTERIM REPORT:
DESIGNED BY: DN	REVIEWED BY: TGIS
ISSUED BY: TGIS	SOLICITATION NUMBER:
FILE NAME: 22034.ANSI.DFN	CONTRACT NUMBER:
PLOT SCALE: 1"=600'	
DWG. SIZE: 22x34" ANSI D	
U.S. ARMY CORPS OF ENGINEERS PHILADELPHIA DISTRICT	#
	#
	#
	#

NEW JERSEY BACK BAY  
COASTAL STORM RISK MANAGEMENT FEASIBILITY STUDY  
PERIMETER PLAN  
SCREENING ANALYSIS  
PERIMETER PLAN  
-----

SHEET NUMBER  
C-103



1 PERIMETER PLAN  
 600' 300' 0 600'  
 SCALE IN FEET

**LEGEND:**

- TYPE A
- TYPE B
- TYPE C



US Army Corps of Engineers  
PHILADELPHIA DISTRICT

MARK	ACTION	DATE	BY

U.S. ARMY CORPS OF ENGINEERS PHILADELPHIA DISTRICT	ISSUE/SUBMITTAL DATE:
#	INTERIM REPORT
#	DESIGNED BY:
#	MP
#	REVIEWED BY:
#	GIS
#	SOLICITATION NUMBER:
#	CONTRACT NUMBER:
#	FILE NAME:
#	27234 ANSID FN

NEW JERSEY BACK BAY COASTAL STORM RISK MANAGEMENT FEASIBILITY STUDY
PERIMETER PLAN
SCREENING ANALYSIS
PERIMETER PLAN
----

SHEET NUMBER  
**C-104**

MATCHLINE RE: C-104

MATCHLINE RE: C-106



MARK	ACTION	DESCRIPTION	DATE	BY

ISSUE/SUBMITTAL DATE:	DES BY:	MP	INTERIM REPORT
	IC		
	CD BY:	GIS	REVIEWED BY:
	DN		SOLICITATION NUMBER:
			CONTRACT NUMBER:

U.S. ARMY CORPS OF ENGINEERS PHILADELPHIA DISTRICT	#
NEW JERSEY BACK BAY COASTAL STORM RISK MANAGEMENT FEASIBILITY STUDY	#
PERIMETER PLAN SCREENING ANALYSIS	#
PERIMETER PLAN	#

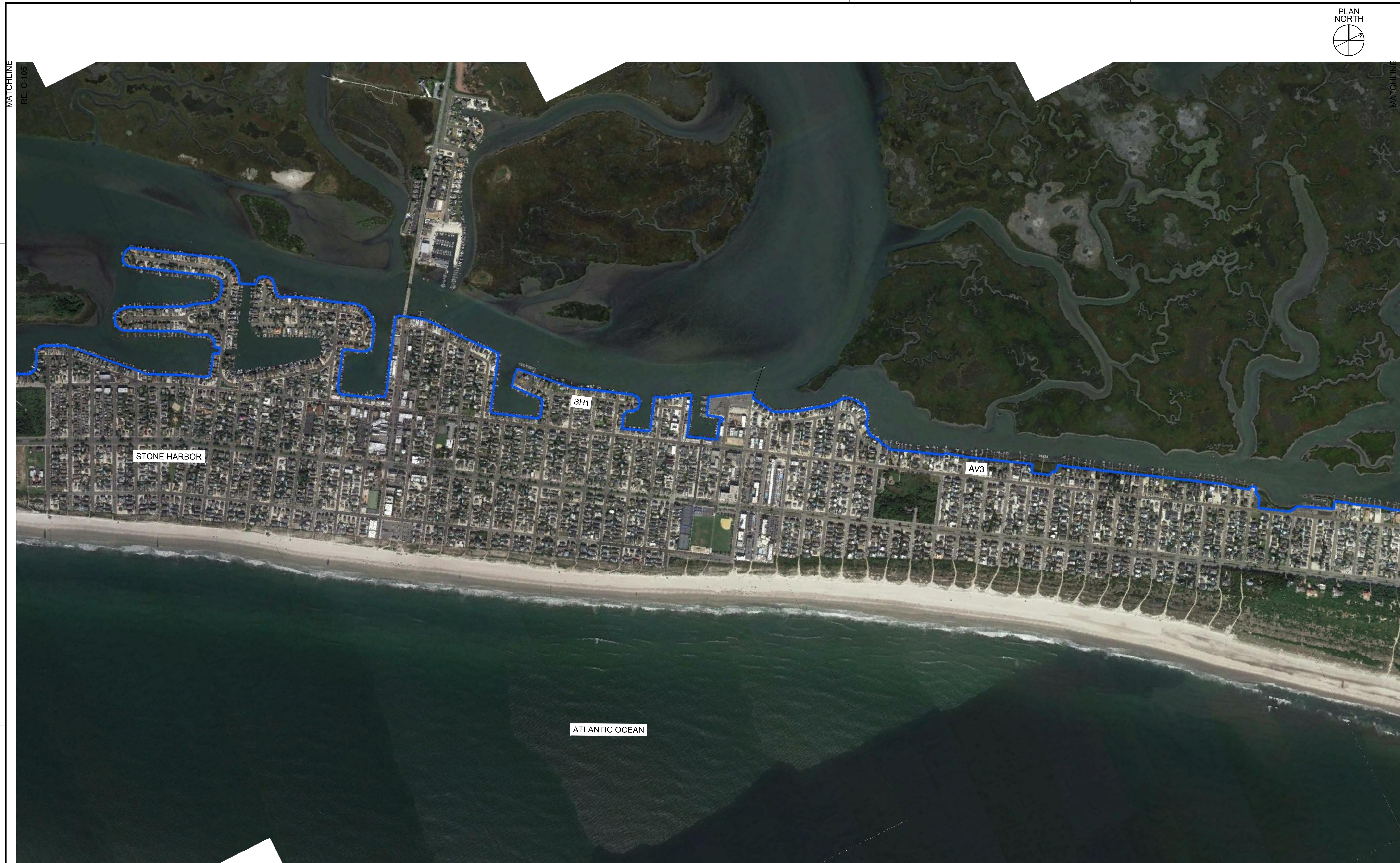
SHEET NUMBER  
**C-105**

**1 PERIMETER PLAN**

600' 300' 0 600'  
SCALE IN FEET

**LEGEND:**

- TYPE A
- TYPE B
- TYPE C



RE: C-105  
MATCHLINE

C

B

A

RE: C-107  
MATCHLINE



MARK	ACTION	DESCRIPTION	DATE	BY

DES BY: MJP		ISSUE/SUBMITTAL DATE:	
EIC		INTERIM REPORT	
CD BY: DN	REVIEWED BY: GIS	SOLICITATION NUMBER:	CONTRACT NUMBER:
PLOT SCALE: 1"=500'		FILE NAME:	
DWG. SIZE: 22x34 ANSI D		FN	
U.S. ARMY CORPS OF ENGINEERS PHILADELPHIA DISTRICT		#	#
		#	#
		#	#

NEW JERSEY BACK BAY COASTAL STORM RISK MANAGEMENT FEASIBILITY STUDY
PERIMETER PLAN SCREENING ANALYSIS
PERIMETER PLAN

RE: C-105  
MATCHLINE

1 PERIMETER PLAN  
SCALE IN FEET  
600' 300' 0 600'

LEGEND:	
	TYPE A
	TYPE B
	TYPE C

RE: C-107  
MATCHLINE

SHEET NUMBER  
**C-106**

1

2

3

4

5





1 2 3 4 5



MATCHLINE  
RE: C-107

D

C

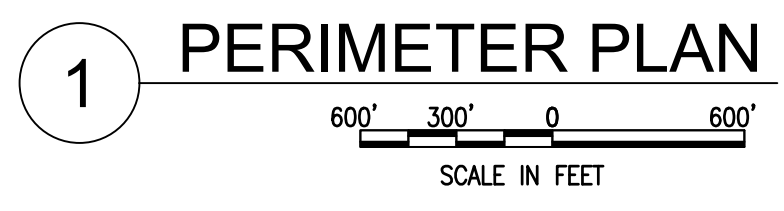
B

A

MATCHLINE  
RE: C-107



ATLANTIC OCEAN



**LEGEND:**

- TYPE A
- TYPE B
- TYPE C



MARK	ACTION	DESCRIPTION	DATE	BY

U.S. ARMY CORPS OF ENGINEERS PHILADELPHIA DISTRICT	DESIGN BY: MIP	ISSUE/SUBMITTAL DATE:
	REVIEWED BY: GIS	INTERIM REPORT
#		SOLICITATION NUMBER
#		CONTRACT NUMBER
#		FILE NAME:
#		22*24*ANSI D FN
U.S. ARMY CORPS OF ENGINEERS PHILADELPHIA DISTRICT	DWN BY: EIC	
	CRD BY: DN	
		PLOT SCALE:
		1"=600'
		DWG. SIZE:
		22*34" ANSI D FN

NEW JERSEY BACK BAY  
COASTAL STORM RISK MANAGEMENT FEASIBILITY STUDY  
PERIMETER PLAN  
SCREENING ANALYSIS  
PERIMETER PLAN

SHEET NUMBER  
**C-108**

1 2 3 4 5



**1 PERIMETER PLAN**  
 600' 300' 0 600'  
 SCALE IN FEET

**LEGEND:**

[White line]	TYPE A
[Blue line]	TYPE B
[Magenta line]	TYPE C



US Army Corps of Engineers  
 PHILADELPHIA DISTRICT

MARK	ACTION	DESCRIPTION	DATE	BY

U.S. ARMY CORPS OF ENGINEERS PHILADELPHIA DISTRICT	DESIGN BY:	ISSUE/SUBMITTAL DATE:
	MP	INTERIM REPORT
	REVIEWED BY:	SOLICITATION NUMBER:
DWN BY:	DESIGNED BY:	CONTRACT NUMBER:
ERIC	GIS	
DN	DN	
PLOT SCALE:	FILE NAME:	
1"=600'	22\34"ANSI.D FN	

NEW JERSEY BACK BAY  
 COASTAL STORM RISK MANAGEMENT FEASIBILITY STUDY  
 PERIMETER PLAN  
 SCREENING ANALYSIS  
 PERIMETER PLAN

SHEET NUMBER  
**C-109**

MATCHLINE  
 RE: C-110





US Army Corps of Engineers  
PHILADELPHIA DISTRICT

MARK	ACTION	DESCRIPTION	DATE	BY

DESIGNED BY: MICHAEL J. MCGEE	ISSUE/SUBMITTAL DATE:	
	INTERIM REPORT:	
	REVIEWED BY:	
DRAWN BY: ERIC DAN	CONTRACT NUMBER:	
DESIGNED BY: MICHAEL J. MCGEE	FILE NAME:	

U.S. ARMY CORPS OF ENGINEERS PHILADELPHIA DISTRICT	#	#	#
NEW JERSEY BACK BAY COASTAL STORM RISK MANAGEMENT FEASIBILITY STUDY			
PERIMETER PLAN SCREENING ANALYSIS			
PERIMETER PLAN			

1 PERIMETER PLAN  
600' 300' 0 600'  
SCALE IN FEET

LEGEND:	
	TYPE A
	TYPE B
	TYPE C

SHEET NUMBER  
C-111



**1 PERIMETER PLAN**  
 600' 300' 0 600'  
 SCALE IN FEET

**LEGEND:**

	TYPE A
	TYPE B
	TYPE C



RE: C-113

MARK	ACTION	DATE	BY

U.S. ARMY CORPS OF ENGINEERS PHILADELPHIA DISTRICT	DESIGN BY: MCP	ISSUE/SUBMITTAL DATE: INTERIM REPORT
#	CREATED BY: DN	ISSUE/SUBMITTAL DATE: FINAL REPORT
#	DESIGNED BY: SWS	ISSUE/SUBMITTAL DATE: CONTRACT NUMBER
#	FILE NAME: 227347.ANSI D EN	ISSUE/SUBMITTAL DATE: CONTRACT NUMBER

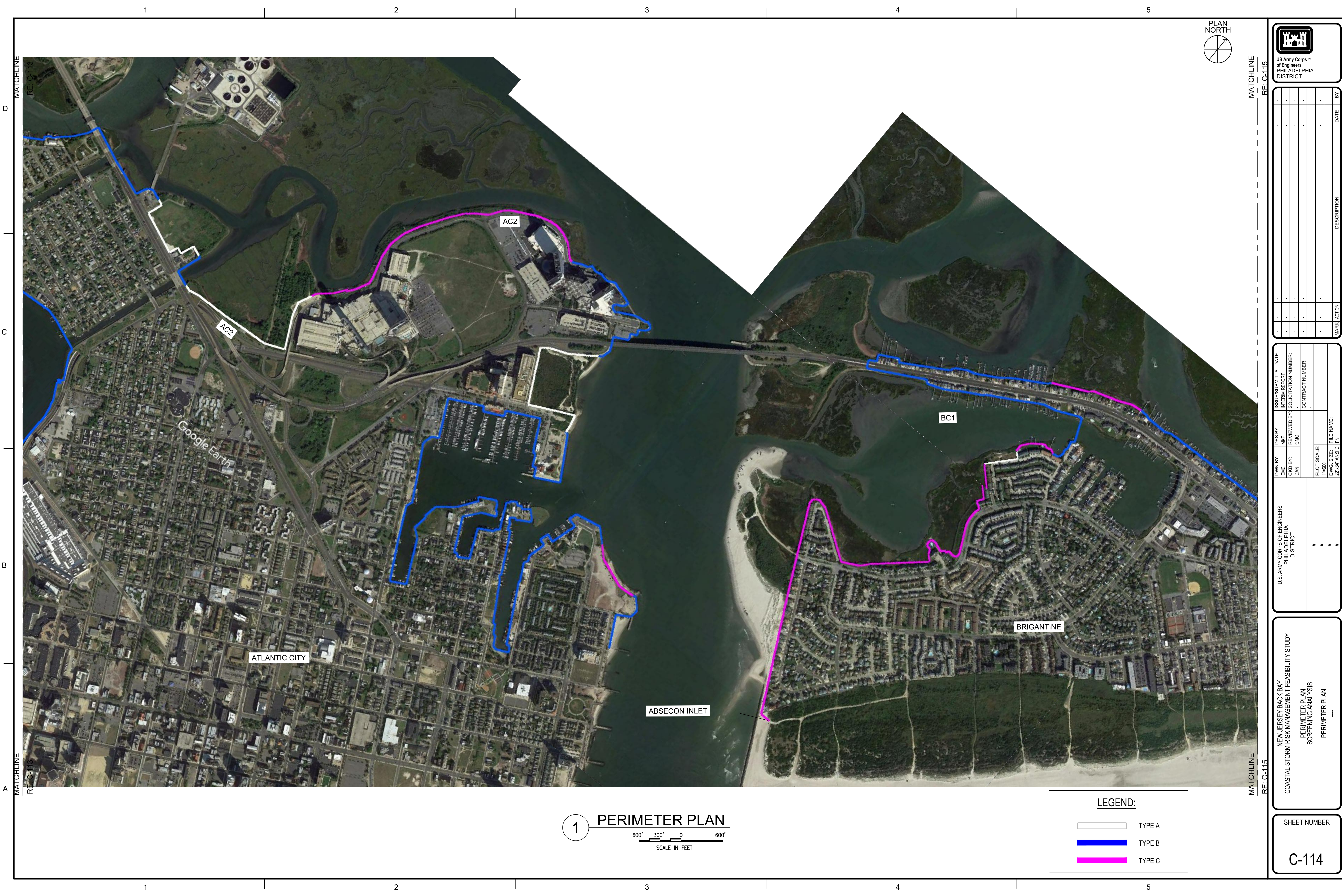
NEW JERSEY BACK BAY  
 COASTAL STORM RISK MANAGEMENT FEASIBILITY STUDY  
 PERIMETER PLAN  
 SCREENING ANALYSIS  
 PERIMETER PLAN  
 ----

SHEET NUMBER  
**C-112**

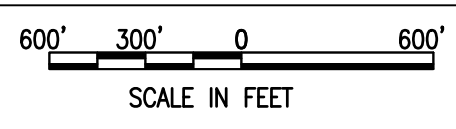
MATCHLINE

MATCHLINE





**1** PERIMETER PLAN



**LEGEND:**

	TYPE A
	TYPE B
	TYPE C

PLAN NORTH

US Army Corps of Engineers  
PHILADELPHIA DISTRICT

MATCHLINE RE: C-115

MARK	ACTION	DESCRIPTION	DATE	BY

ISSUE/SUBMITTAL DATE:	DESIGN BY:	U.S. ARMY CORPS OF ENGINEERS
INTERIM REPORT	MJP	PHILADELPHIA DISTRICT
CONTRACT NUMBER:	REVIEWED BY:	
	GIS	
	DN	
ISSUE/SUBMITTAL DATE:	DESIGN BY:	
INTERIM REPORT	MJP	
CONTRACT NUMBER:	REVIEWED BY:	
	GIS	
	DN	
PLOT SCALE:	FILE NAME:	
1"=600'	22'x34"AS1.D	
DWG. SIZE:	FILE NAME:	
22'x34"AS1.D		

NEW JERSEY BACK BAY  
COASTAL STORM RISK MANAGEMENT FEASIBILITY STUDY  
PERIMETER PLAN  
SCREENING ANALYSIS  
PERIMETER PLAN  
----

SHEET NUMBER  
**C-114**





1

2

3

4

5

D

C

B

A



MATCHLINE  
RE: C-117



U.S. Army Corps of Engineers  
PHILADELPHIA DISTRICT



MATCHLINE  
RE: C-117

**1 PERIMETER PLAN**  
600' 300' 0 600'  
SCALE IN FEET

**LEGEND:**

- TYPE A
- TYPE B
- TYPE C

MARK	ACTION	DESCRIPTION	DATE	BY

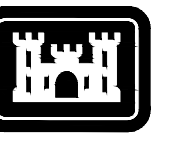
U.S. ARMY CORPS OF ENGINEERS PHILADELPHIA DISTRICT	DWN BY: EJC	DES BY: MCP	ISSUE/SUBMITTAL DATE: INTERIM REPORT
#	CRD BY: DAN	REVIEWED BY: GIS	ISSUE/SUBMITTAL DATE: FINAL REPORT
#	PLT SCALE: 1"=600'	CONTRACT NUMBER: 	ISSUE/SUBMITTAL DATE: FINAL REPORT
#	DWG. SIZE: 22"x34" ANSI D EN	FILE NAME: 	ISSUE/SUBMITTAL DATE: FINAL REPORT

NEW JERSEY BACK BAY  
COASTAL STORM RISK MANAGEMENT FEASIBILITY STUDY

PERIMETER PLAN  
SCREENING ANALYSIS

PERIMETER PLAN

SHEET NUMBER  
**C-116**



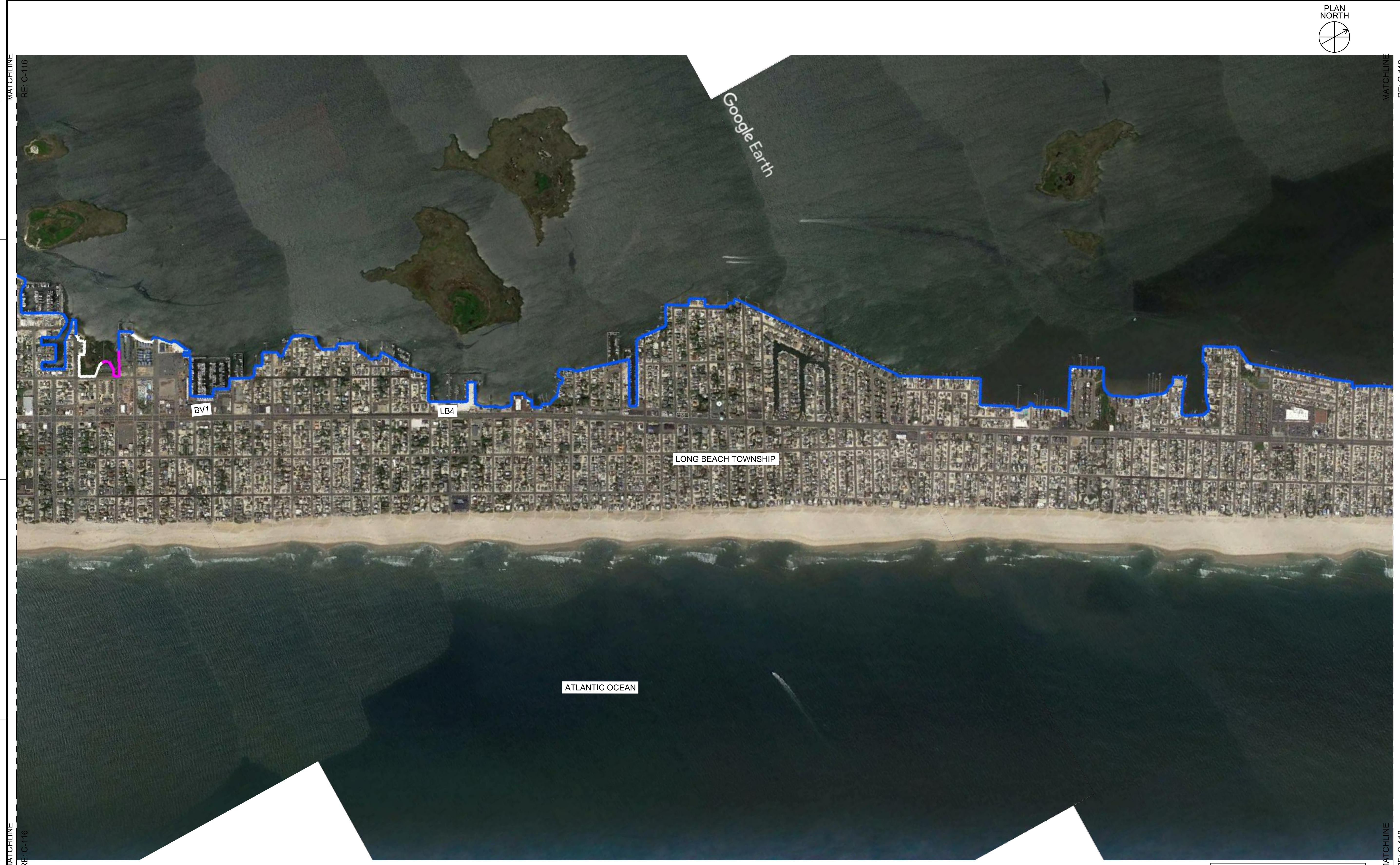
US Army Corps of Engineers  
PHILADELPHIA DISTRICT

MARK	ACTION	DESCRIPTION	DATE	BY

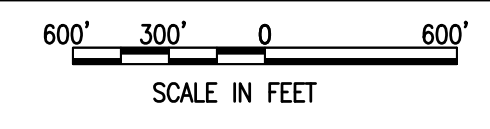
ISSUE/SUBMITTAL DATE:	DESIGN BY:	U.S. ARMY CORPS OF ENGINEERS
INTERIM REPORT:	MWP:	PHILADELPHIA DISTRICT
SOLICITATION NUMBER:	REVIEWED BY:	
CONTRACT NUMBER:	GIS:	
	DWN BY:	#
	ERIC:	#
	CRD BY:	#
	DAN:	#
	FILE NAME:	
PLOT SCALE:	22x34" ANSI D	
1"=600'		
DWG. SIZE:		
22x34" ANSI D		

NEW JERSEY BACK BAY COASTAL STORM RISK MANAGEMENT FEASIBILITY STUDY
PERIMETER PLAN SCREENING ANALYSIS
PERIMETER PLAN

SHEET NUMBER  
**C-117**



**1 PERIMETER PLAN**



**LEGEND:**

	TYPE A
	TYPE B
	TYPE C

MATCHLINE RE: C-116

MATCHLINE RE: C-118



US Army Corps of Engineers  
PHILADELPHIA DISTRICT

MARK	ACTION	DESCRIPTION	DATE	BY

U.S. ARMY CORPS OF ENGINEERS PHILADELPHIA DISTRICT	DWN BY: MIC	DES BY: MP	ISSUE/SUBMITTAL DATE: INTERIM REPORT
#	CRD BY: DN	REVIEWED BY: GWS	SOLICITATION NUMBER
#			CONTRACT NUMBER
#			FILE NAME:
#			227347ANSI.DWG

NEW JERSEY BACK BAY COASTAL STORM RISK MANAGEMENT FEASIBILITY STUDY
PERIMETER PLAN SCREENING ANALYSIS
PERIMETER PLAN -----

SHEET NUMBER  
**C-118**

**1 PERIMETER PLAN**  
600' 300' 0 600'  
SCALE IN FEET

LEGEND:	
—	TYPE A
—	TYPE B
—	TYPE C

MATCHLINE RE: C-117  
D  
C  
B  
A  
MATCHLINE RE: C-119

MATCHLINE RE: C-117  
MATCHLINE RE: C-119



RE: C-118

MARK	ACTION	DATE	BY

RE: C-120

ISSUE/SUBMITTAL DATE:	DESIGN BY:	DESIGN BY:	DESIGN BY:
INTERIM REPORT:	MAP:	MAP:	MAP:
SOLICITATION NUMBER:	REVIEWED BY:	REVIEWED BY:	REVIEWED BY:
CONTRACT NUMBER:	GIS:	GIS:	GIS:

U.S. ARMY CORPS OF ENGINEERS  
PHILADELPHIA DISTRICT

#	#	#	#

NEW JERSEY BACK BAY  
COASTAL STORM RISK MANAGEMENT FEASIBILITY STUDY

PERIMETER PLAN  
SCREENING ANALYSIS  
PERIMETER PLAN

SHEET NUMBER  
**C-119**



**1** PERIMETER PLAN

600' 300' 0 600'  
SCALE IN FEET

**LEGEND:**

	TYPE A
	TYPE B
	TYPE C



MARK	ACTION	DESCRIPTION	DATE	BY



1 PERIMETER PLAN

SCALE IN FEET

**LEGEND:**

- TYPE A
- TYPE B
- TYPE C

U.S. ARMY CORPS OF ENGINEERS PHILADELPHIA DISTRICT	DWN BY:	DES BY:	ISSUE/SUBMITTAL DATE:
	ERIC DN	MP REVIEWED BY GIS	INTERIM REPORT SOLICITATION NUMBER CONTRACT NUMBER:
#	#	#	#
#	#	#	#
#	#	#	#

NEW JERSEY BACK BAY  
COASTAL STORM RISK MANAGEMENT FEASIBILITY STUDY  
PERIMETER PLAN  
SCREENING ANALYSIS  
PERIMETER PLAN

SHEET NUMBER  
**C-120**

D

C

B

A

RE: C-121

RE: C-121



1

2

3

4

5



MARK	ACTION	DESCRIPTION	DATE	BY

ISSUE/SUBMITTAL DATE:	DESIGN BY:	U.S. ARMY CORPS OF ENGINEERS	#	
INTERIM REPORT:	MCP:	PHILADELPHIA		#
SOLICITATION NUMBER:	REVIEWED BY:	DISTRICT		
CONTRACT NUMBER:	GIS:			
	DN:			
	PLOT SCALE:	FILE NAME:		
	1"=600'	27234' ANS.D IN		

NEW JERSEY BACK BAY
COASTAL STORM RISK MANAGEMENT FEASIBILITY STUDY
PERIMETER PLAN
SCREENING ANALYSIS
PERIMETER PLAN
----

SHEET NUMBER  
**C-122**



MATCHLINE  
RE: C-123

MATCHLINE  
RE: C-123

**1 PERIMETER PLAN**

600' 300' 0 600'  
SCALE IN FEET

LEGEND:	
—	TYPE A
—	TYPE B
—	TYPE C

D  
C  
B  
A

Google Earth

Google Earth

1

2

3

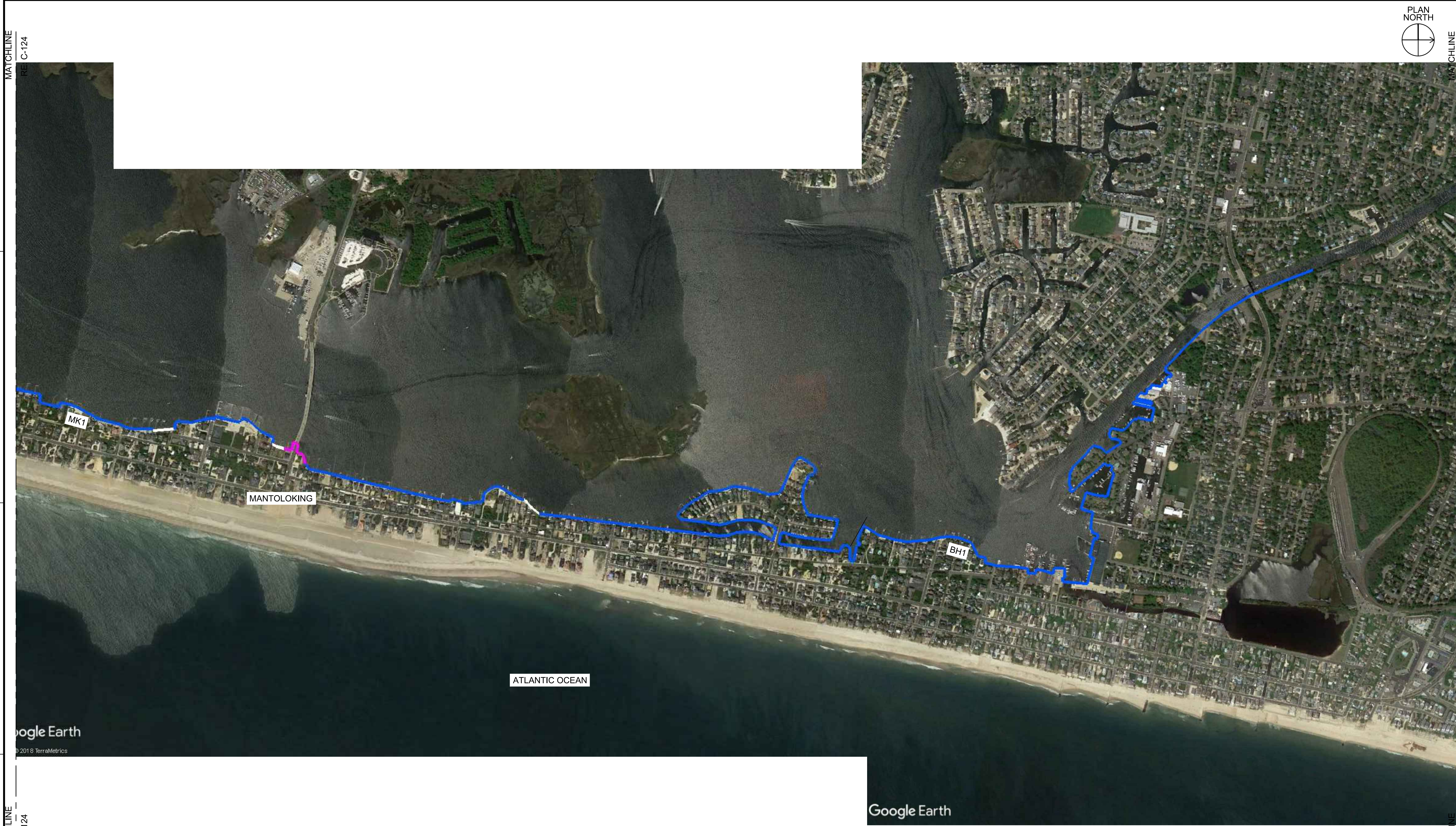
4

5









MATCHLINE RE: C-124

MATCHLINE RE: C-126



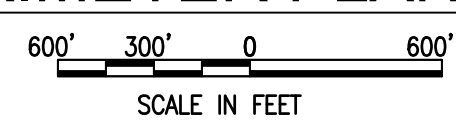
MARK	ACTION	DESCRIPTION	DATE	BY

ISSUE/SUBMITTAL DATE:	DES BY:	U.S. ARMY CORPS OF ENGINEERS
INTERIM REPORT	MP	PHILADELPHIA DISTRICT
CONTRACT NUMBER:	REVIEWED BY:	
	GIS	
	DN	
	DN	
PLOT SCALE:	FILE NAME:	
1"=600'	22'x34" ANSI D FN	
DWG. SIZE:		

COASTAL STORM RISK MANAGEMENT FEASIBILITY STUDY	#
PERIMETER PLAN	#
SCREENING ANALYSIS	#
PERIMETER PLAN	#
----	#

SHEET NUMBER  
**C-125**

**1 PERIMETER PLAN**



**LEGEND:**

<span style="border-bottom: 1px solid black; width: 20px; display: inline-block;"></span>	TYPE A
<span style="border-bottom: 2px solid blue; width: 20px; display: inline-block;"></span>	TYPE B
<span style="border-bottom: 2px solid magenta; width: 20px; display: inline-block;"></span>	TYPE C

A

B

C

D

1

2

3

4

5

Google Earth  
© 2018 TerraMetrics

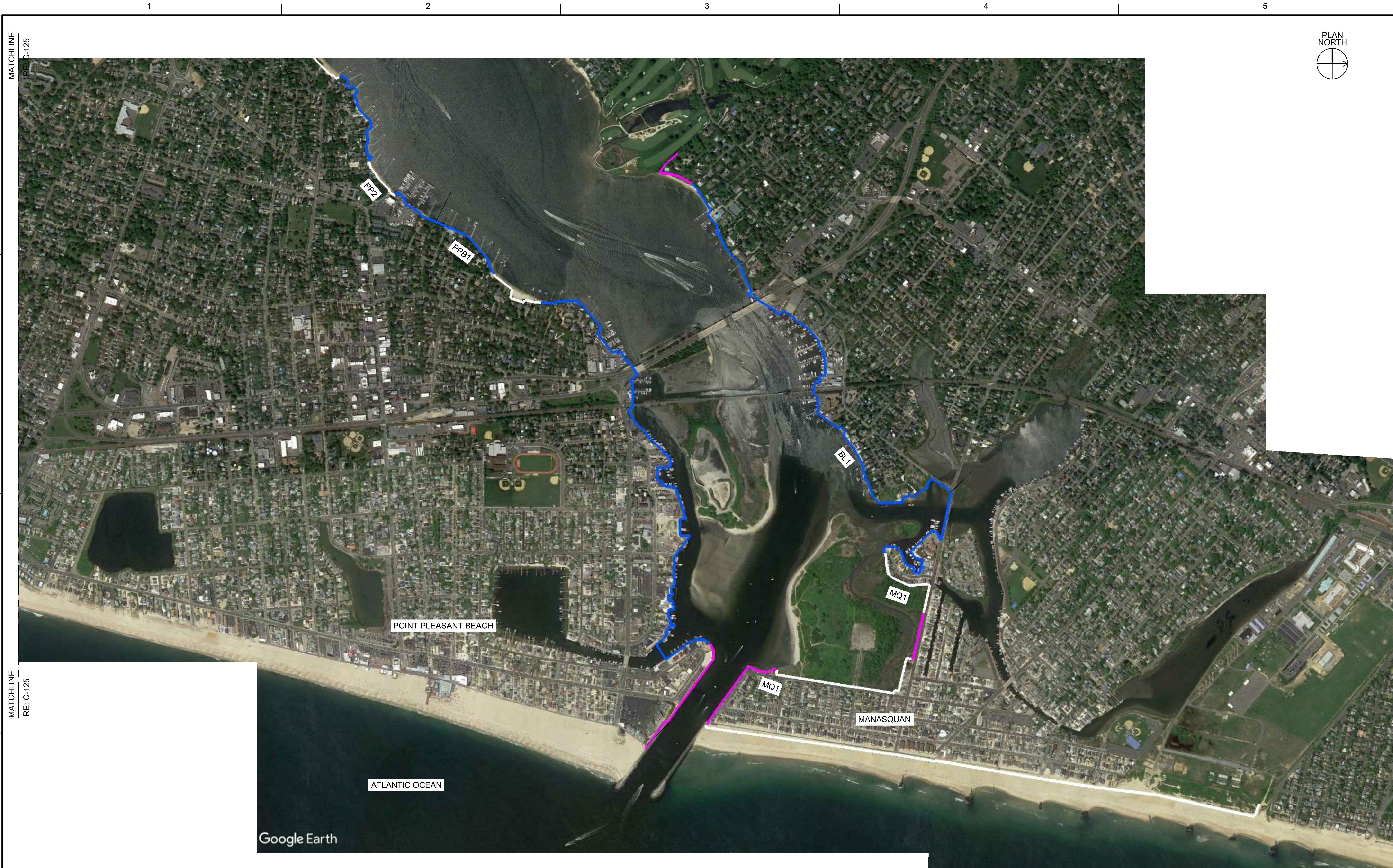
Google Earth

ATLANTIC OCEAN

MK1

MANTOLOKING

BH1



MARK	ACTION	DESCRIPTION	DATE	BY

ISSUE/SUBMITTAL DATE:	DESIGN BY:	DESIGN BY:	DESIGN BY:
INTERIM REPORT:	MP:	MP:	MP:
SOLICITATION NUMBER:	REVIEWED BY:	REVIEWED BY:	REVIEWED BY:
CONTRACT NUMBER:	GIS:	GIS:	GIS:

U.S. ARMY CORPS OF ENGINEERS PHILADELPHIA DISTRICT	#
NEW JERSEY BACK BAY COASTAL STORM RISK MANAGEMENT FEASIBILITY STUDY	#
PERIMETER PLAN SCREENING ANALYSIS	#
PERIMETER PLAN	#

**1 PERIMETER PLAN**  
 SCALE IN FEET  
 600' 300' 0 600'

**LEGEND:**

	TYPE A
	TYPE B
	TYPE C

SHEET NUMBER  
**C-126**

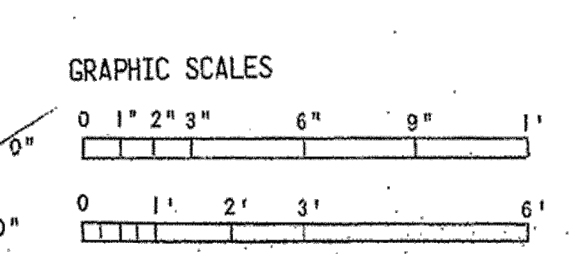
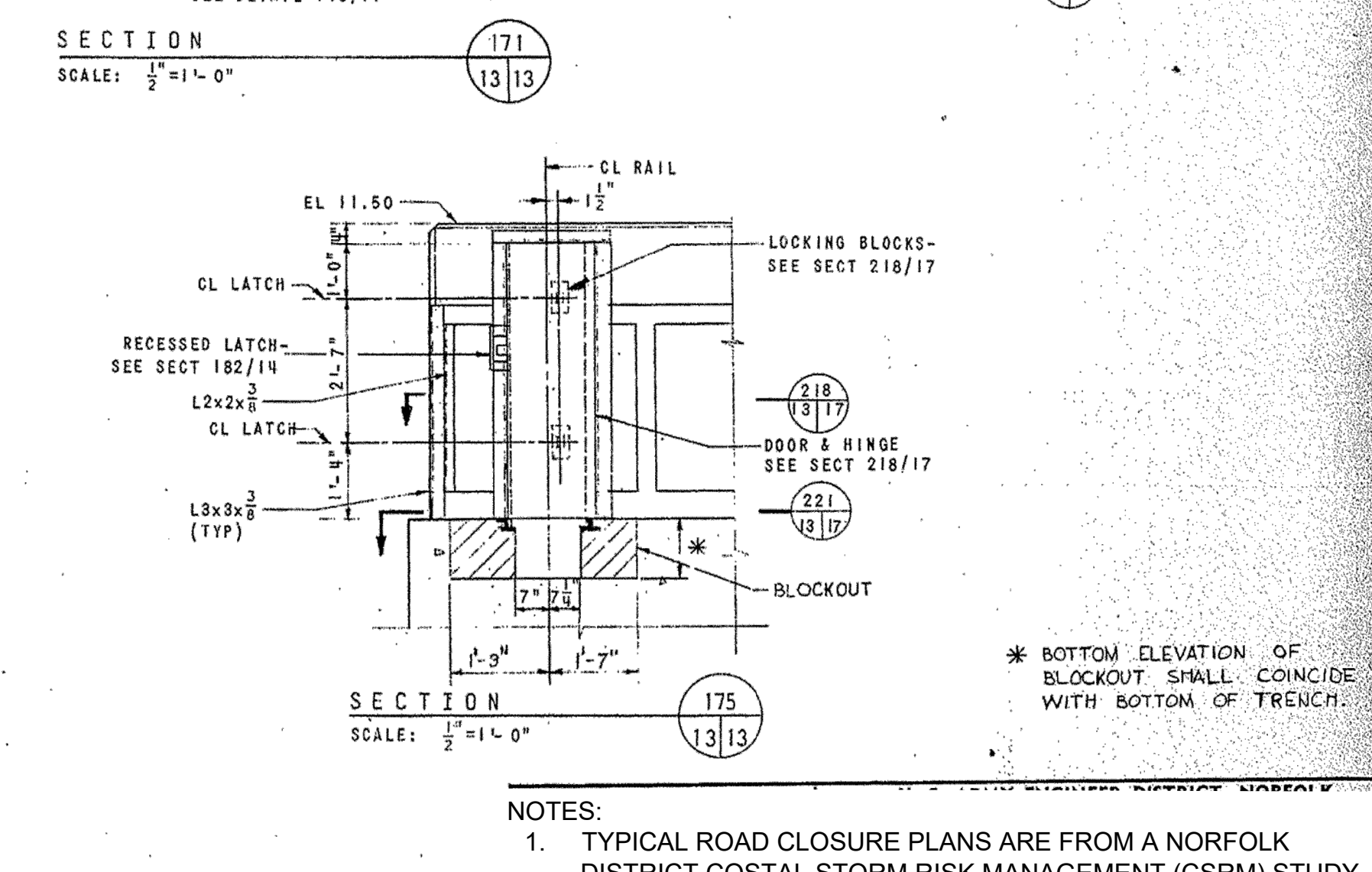
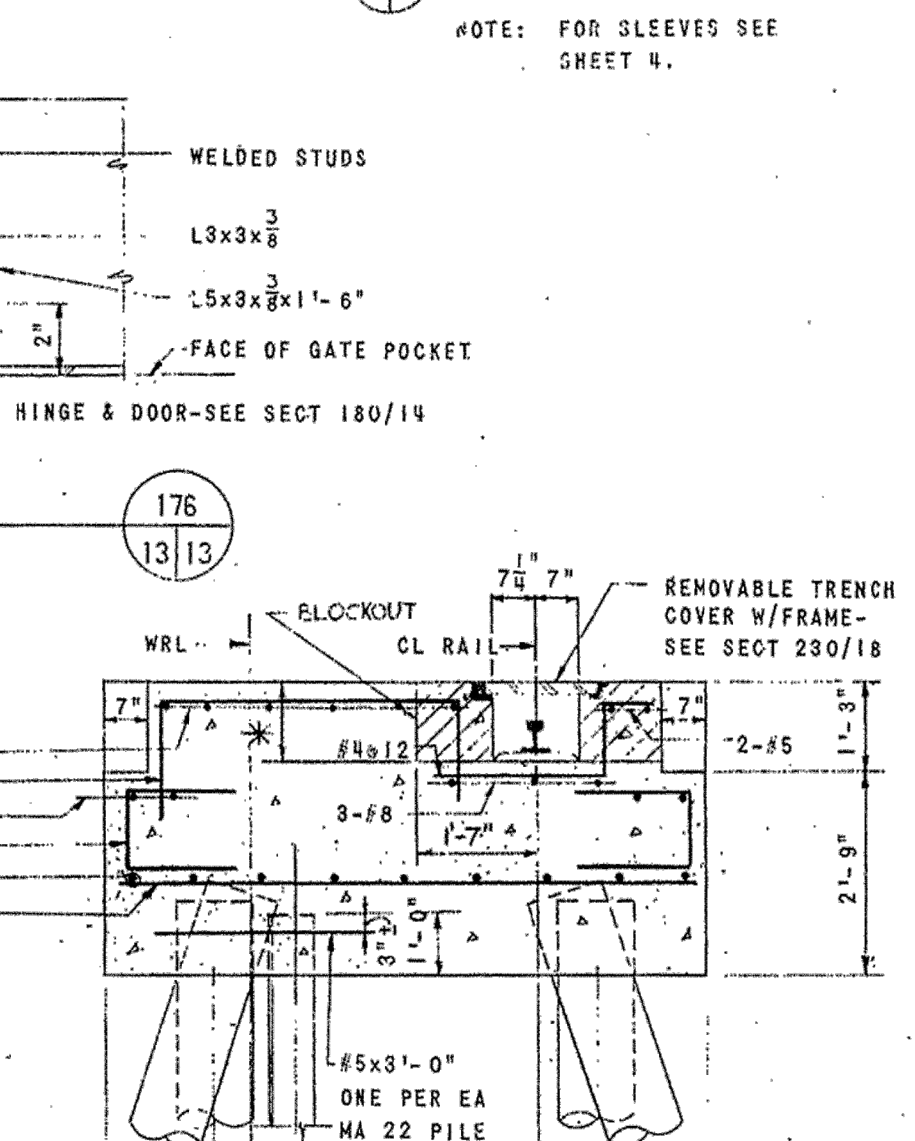
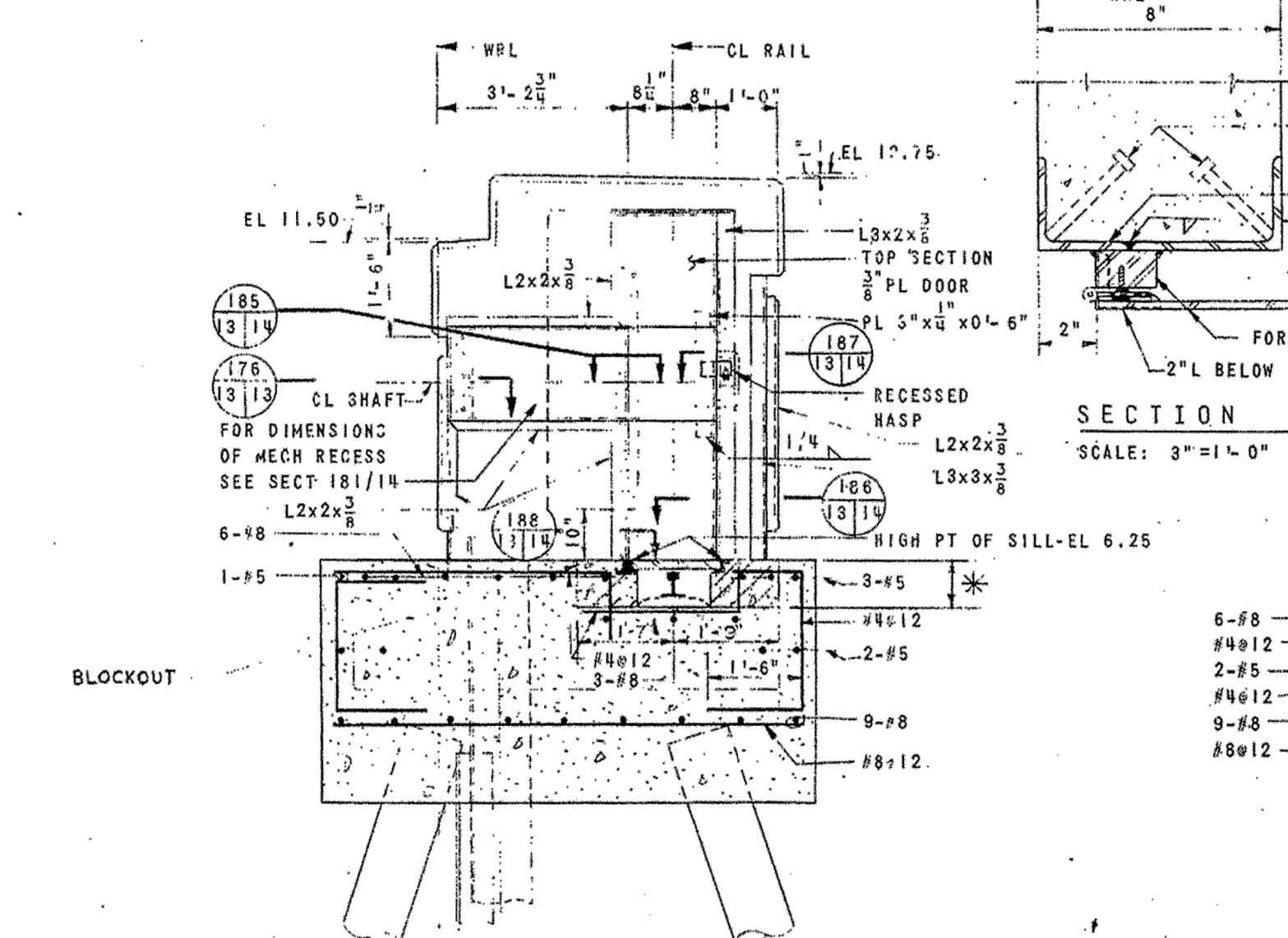
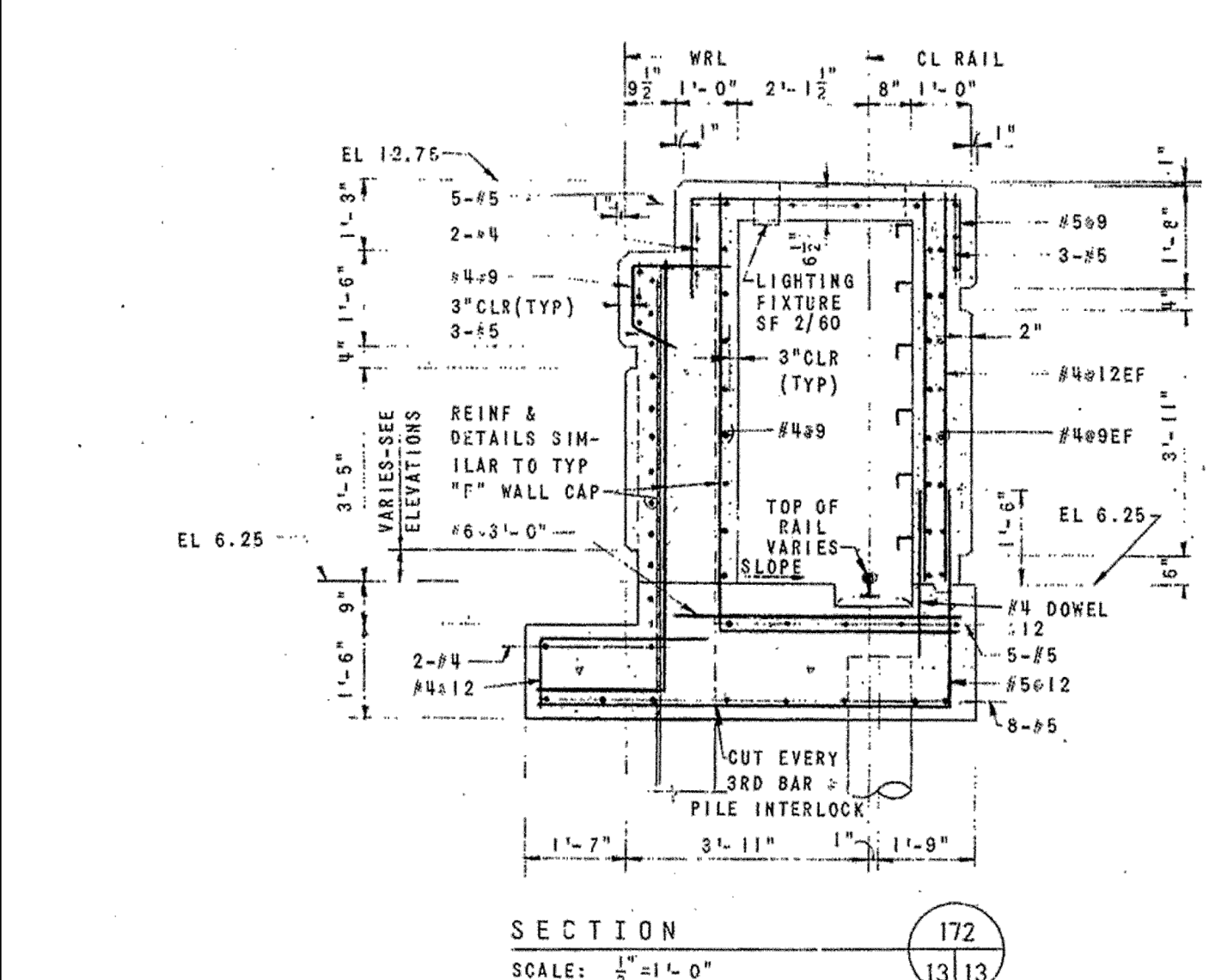
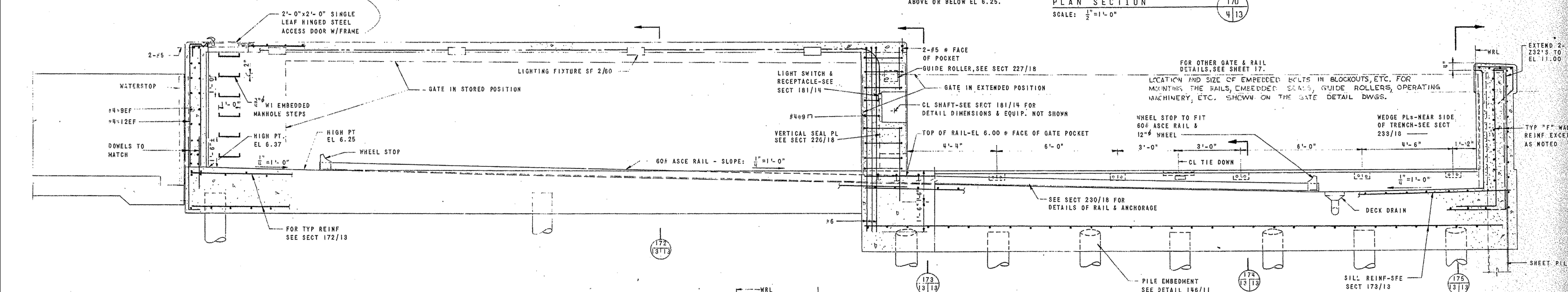
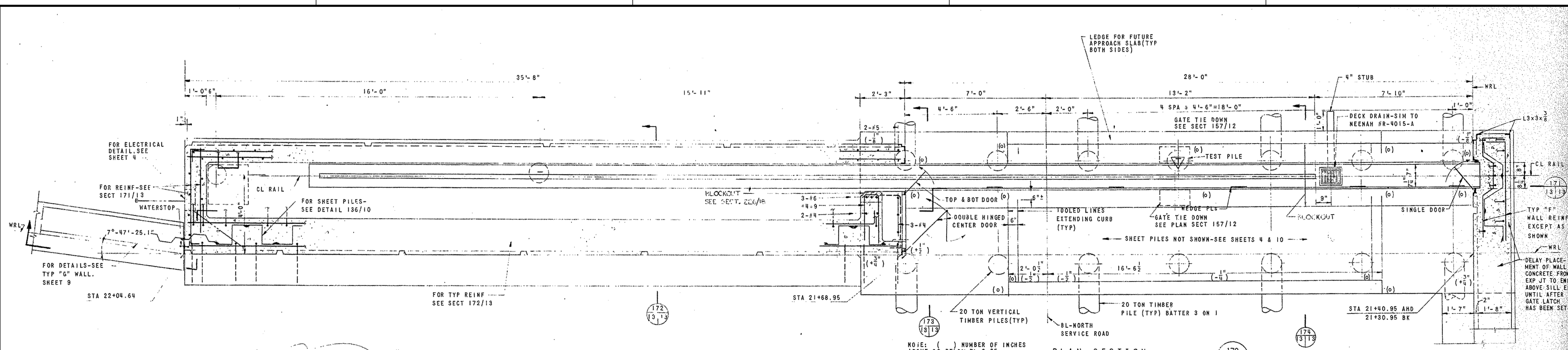
MATCHLINE  
RE: C-125

MATCHLINE  
RE: C-125

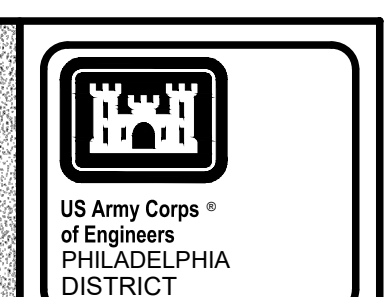
Google Earth







- NOTES:**
1. TYPICAL ROAD CLOSURE PLANS ARE FROM A NORFOLK DISTRICT COSTAL STORM RISK MANAGEMENT (CSRM) STUDY.
  2. ALL VERTICAL TIMBER PILES SHOWN ON THIS SHEET WILL BE PAID FOR UNDER CONTRACT PAYMENT ITEM 4a.
  3. ALL BATTERED TIMBER PILES SHOWN ON THIS SHEET WILL BE PAID FOR UNDER CONTRACT PAYMENT ITEM 4b.
  4. TEST PILE LOADING WILL BE PAID FOR UNDER CONTRACT PAYMENT ITEM 4c.
  5. ALL ELECTRICAL WORK AND LIGHTING SHOWN ON THIS SHEET WILL BE PAID FOR UNDER CONTRACT PAYMENT ITEM 9.
  6. EXCEPT AS OTHERWISE NOTED OR INDICATED, ALL WORK SHOWN ON THIS SHEET WILL BE PAID UNDER CONTRACT PAYMENT ITEM 1.



DATE	DESCRIPTION	MARK	ACTION

ISSUE/SUBMITTAL DATE:	
DESIGN BY:	
DESIGNED BY:	
REVIEWED BY:	
CONTRACT NUMBER:	
CONTRACT NUMBER:	
FILE NAME:	
FILE NAME:	

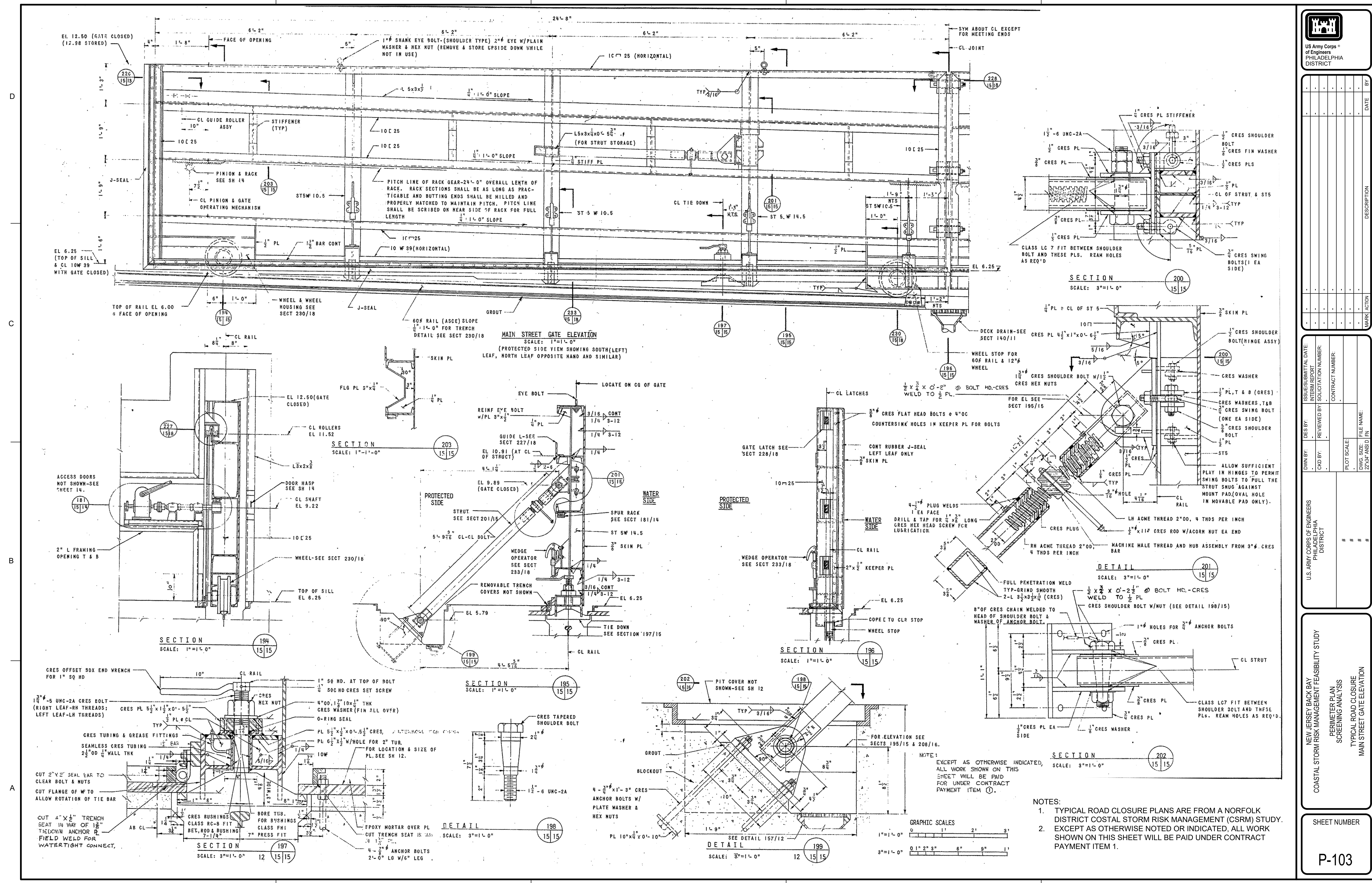
U.S. ARMY CORPS OF ENGINEERS		
PHILADELPHIA		
DISTRICT		
#	#	#
#	#	#

NEW JERSEY BACK BAY  
COASTAL STORM RISK MANAGEMENT FEASIBILITY STUDY  
PERIMETER PLAN  
SCREENING ANALYSIS  
TYPICAL ROAD CLOSURE  
NORTH SERVICE ROAD GATE ELEVATION

DATE	BY	DESCRIPTION

ISSUE/SUBMITTAL DATE:	DESIGNED BY:	ISSUED BY:	DATE:

NEW JERSEY BACK BAY  
COASTAL STORM RISK MANAGEMENT FEASIBILITY STUDY  
PERIMETER PLAN  
SCREENING ANALYSIS  
TYPICAL ROAD CLOSURE  
MAIN STREET GATE ELEVATION











D

C

B

A

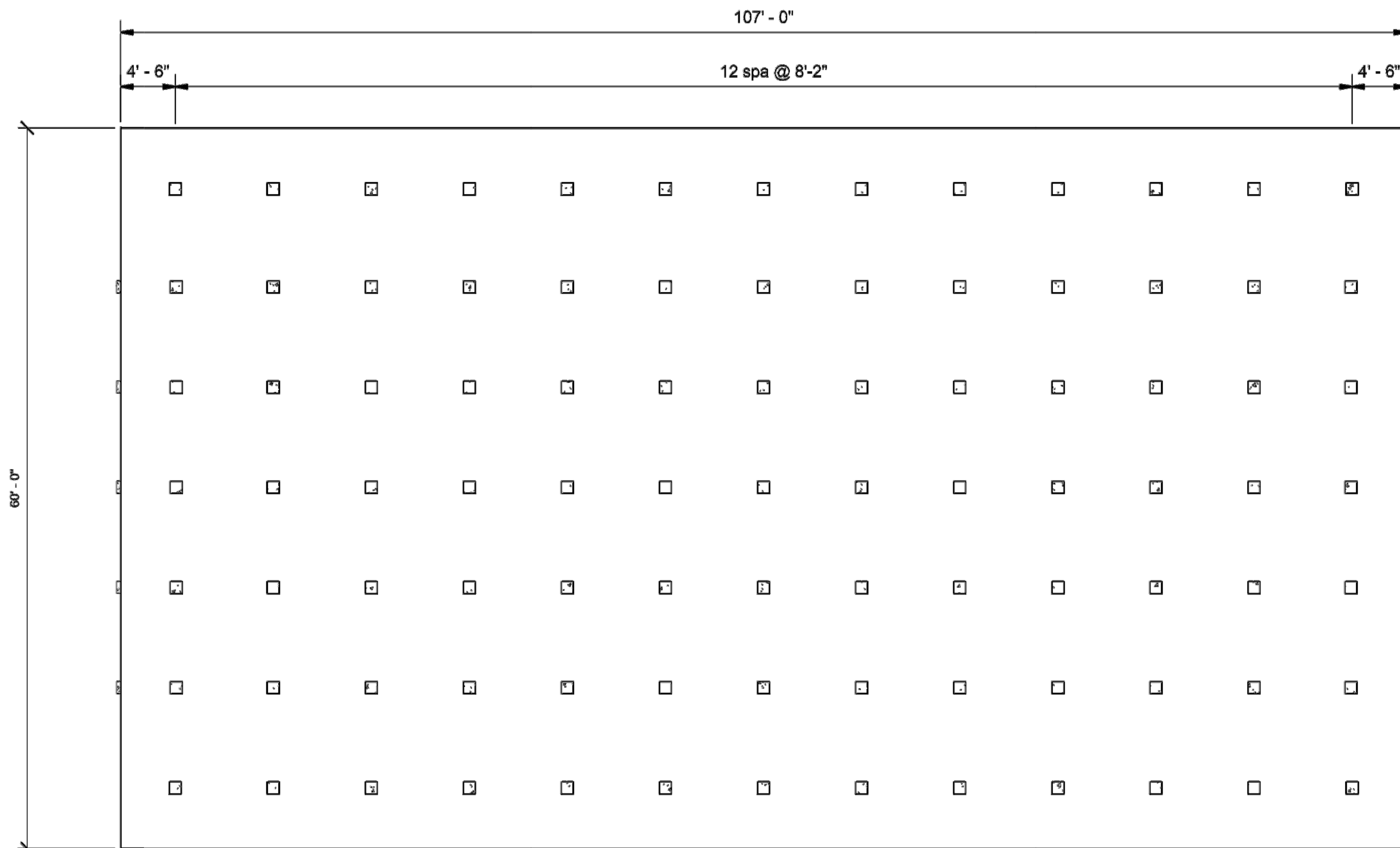
1

2

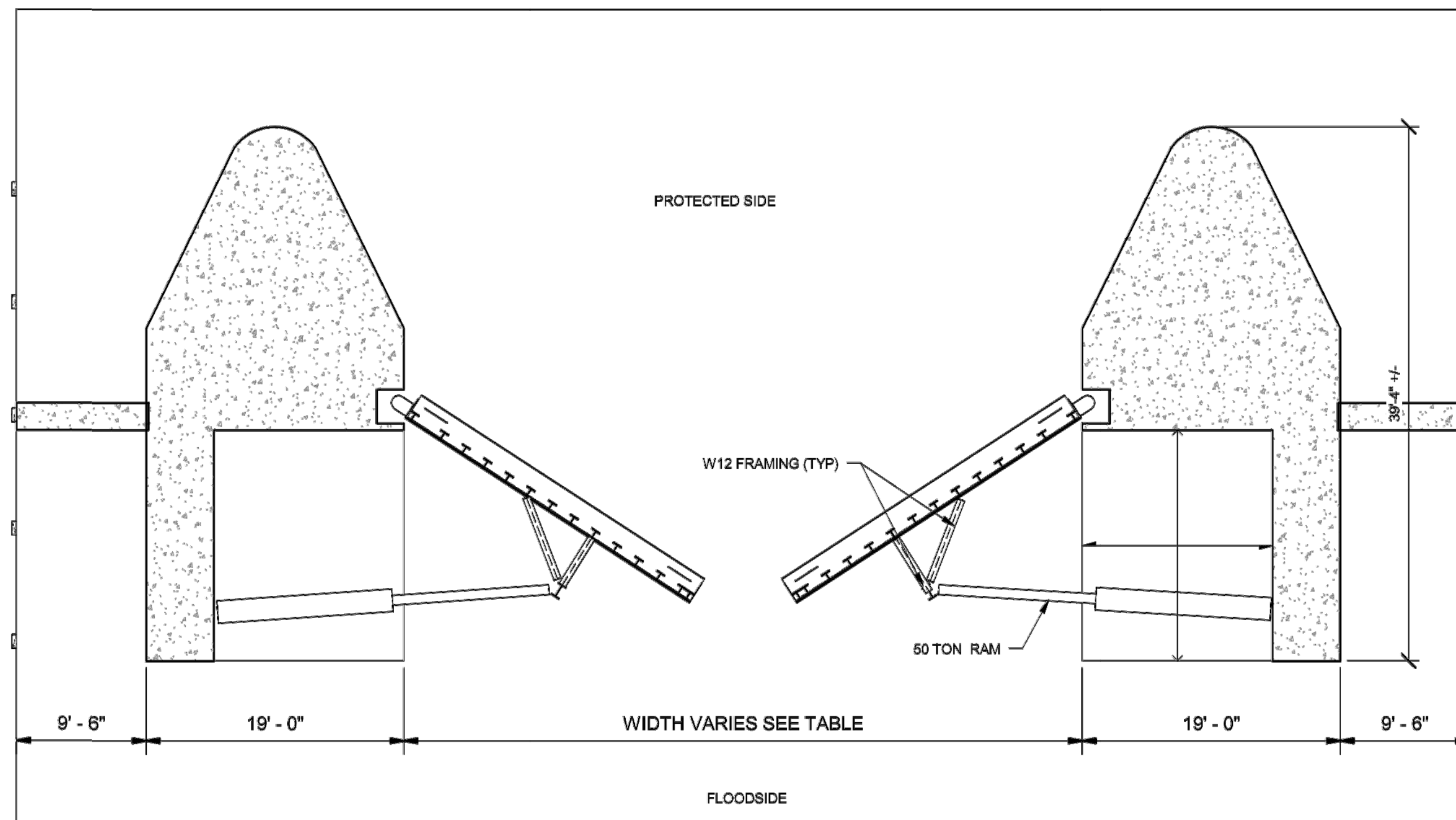
3

4

5



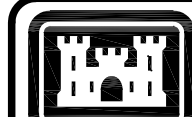
**1** SINGLE TIDE GATE FOUNDATION PLAN  
1/8" = 1'-0"



**2** BUTTRESS PLAN  
1/8" = 1'-0"

SIDE VIEW  
S-501

CHANNEL VIEW  
S-501



US Army Corps of Engineers  
PHILADELPHIA DISTRICT

MARK	ACTION	DESCRIPTION	DATE	BY

ISSUE/SUBMITTAL DATE:	DES BY:	DESIGN/REVISIONS:
INTERIM REPORT:	REVIEWED BY:	SOLICITATION NUMBER:
CONTRACT NUMBER:	CONTRACT NUMBER:	CONTRACT NUMBER:
CONTRACT NUMBER:	CONTRACT NUMBER:	CONTRACT NUMBER:
CONTRACT NUMBER:	CONTRACT NUMBER:	CONTRACT NUMBER:
CONTRACT NUMBER:	CONTRACT NUMBER:	CONTRACT NUMBER:
CONTRACT NUMBER:	CONTRACT NUMBER:	CONTRACT NUMBER:
CONTRACT NUMBER:	CONTRACT NUMBER:	CONTRACT NUMBER:
CONTRACT NUMBER:	CONTRACT NUMBER:	CONTRACT NUMBER:

U.S. ARMY CORPS OF ENGINEERS PHILADELPHIA DISTRICT	#	#	#	#
---	---	---	---	---

SHEET NUMBER

P-107

