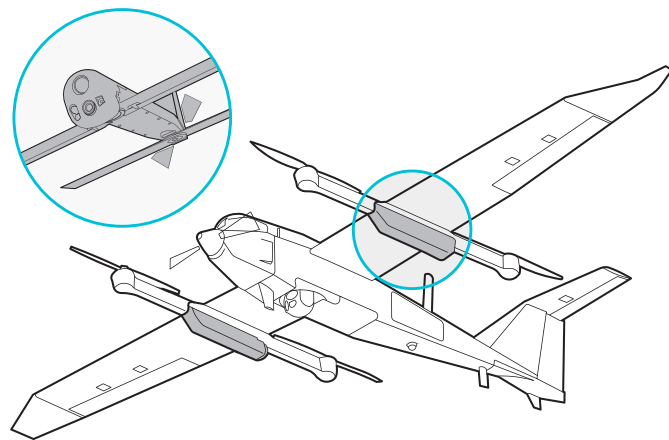


# UAS/TMS INTEROPERABILITY



Sensor to Shooter (S2S) provides an integrated multi-domain ISR and precision strike capability for increased mission autonomy and efficacy. Combining the extended range of JUMP 20 medium UAS with organic Air Launched Effects of the Switchblade 300 loitering missile system. This end-to-end solution provides the warfighter with greater time on station to conduct persistent ISR and prosecute multiple targets with lethal effects.

## SWITCHBLADE® 300 SENSOR TO SHOOTER KIT



» PORTABILITY  
Backpackable



» LINK RANGE  
10 km



» SETUP TIME  
Under 10 min



» FREQUENCY BANDS  
M1/2/5

### SOFTWARE

APPLICATION FalconView®: Sensor to Shooter Software Update

OPERATING SYSTEM Windows® 10

### HARDWARE

COMPATIBLE UAS Puma™ LE, Puma™ 3 AE, Raven®, Wasp® AE

COMPATIBLE ANTENNAS pDDL™

REQUIRED HARDWARE Ruggedized Laptop

### KEY FEATURES

- » Instantly transfer target coordinates
- » Machine-to-machine communication
- » Small UAS to Switchblade 300
- » Reduced time from target PID to prosecution

1 UAS Live Video Downlink Window

3 Mission Map Data Points

2 Switchblade 300 Live Video Downlink Window

4 Switchblade 300–FalconView



#### DIMENSIONS

Pelican Case: 16.9 in x 13.2 in x 4.5 in  
(42.9 cm x 33.6 cm x 11.4 cm)

#### WEIGHT

System: ~6.5 lb (2.95 kg)\*  
Operational: 0.6 lb (0.27 kg)\*\*

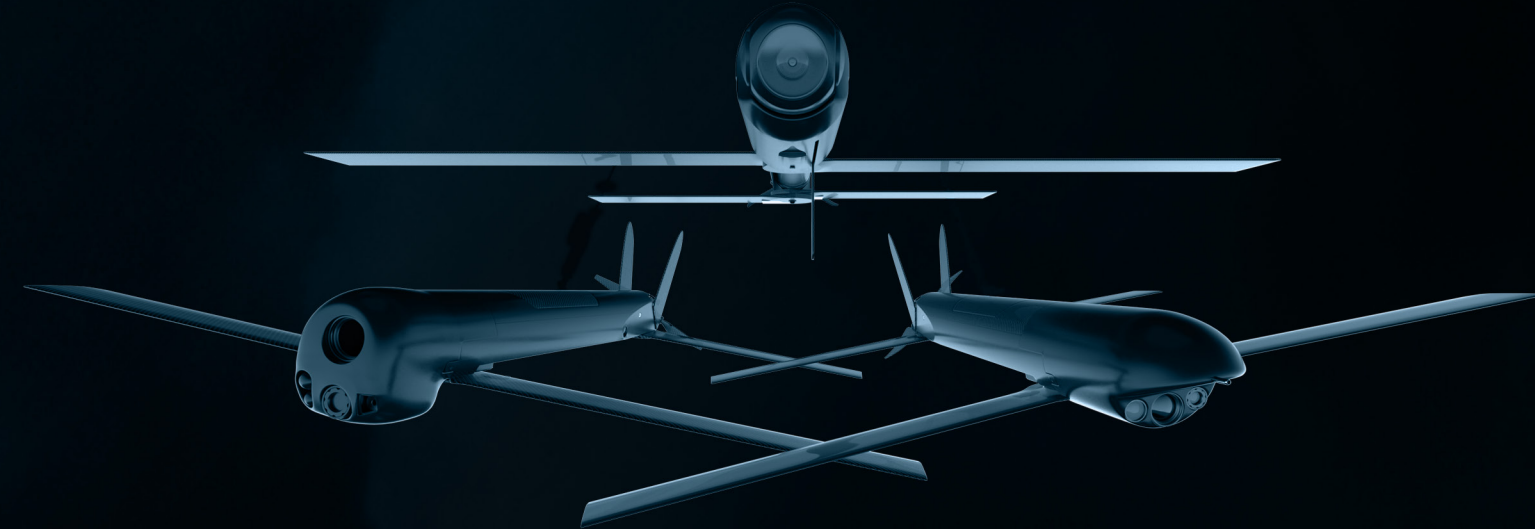
\*System consists of all kit components

\*\*Operational setup consists of pDDL, antennas, USB Y-cable

For more product information, visit [avinc.com](http://avinc.com)



AeroVironment – ph: 805.520.8350 – [www.avinc.com](http://www.avinc.com) // © 2021 AeroVironment, its product names and the AV logo are protected trademarks of AeroVironment Inc. All other company, product names, logos, and brands are property of their respective owners and are for identification purposes only. Use of these names, logos, and brands does not imply endorsement. Screen images may be simulated. All specifications are subject to change. This data sheet consists of AeroVironment, Inc. general capabilities information that does not contain controlled technical data as defined within the International Traffic in Arms Regulations (ITAR) Part 120.10 or Export Administration Regulations (EAR) Part 734.7-11.



## AEROVIRONMENT TACTICAL MISSILE SYSTEMS WHEN PRECISION COUNTS



AeroVironment's tactical missile systems close the gap between observation and action, giving troops the ability to identify threats and deliver a precision lethal payload with minimal collateral damage. Their small size and low acoustic, visual and thermal signature make them difficult to detect, recognize or track, even at close range.

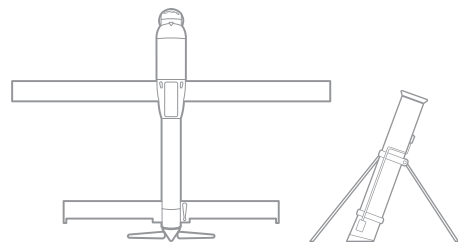
Rapidly deployable, highly maneuverable, with high performance optics and scalable munition payloads, AeroVironment's Switchblade loitering missile systems enable the warfighter to easily launch, fly, track and engage beyond line-of-sight targets and light armored vehicles across land, maritime, and air-launched scenarios.

When every second counts, AeroVironment's tactical missile systems deliver the actionable intelligence and precision firepower needed to achieve mission success across multiple domains.



AeroVironment™

# SWITCHBLADE® 600 LOITERING MISSILE



**DIMENSIONS**  
Length: 50 in (1.3 m)

**WEIGHT**  
AUR: 50 lb (22.7 kg)  
System [1 AUR and FCS]:  
120 lb (54.4 kg)

**RANGE**  
40+ km

**ENDURANCE**  
40+ minutes

**SPEED**  
Cruise: 70 mph  
Dash: 115 mph

**EFFECTS ON TARGET**  
Light armor and  
anti-personnel effects

<b>FIRE CONTROL SYSTEM</b>	Tablet-based FCU with Tap-to-Target guidance and built-in mission planner and trainer
<b>TARGETING OPTICS</b>	2-axis, 4-sensor gimbal (Dual EO/IR) integrated sensor suite
<b>OPERATING ALTITUDE</b>	Below 650 ft AGL (ceiling >15,000 ft MSL)
<b>LAUNCH METHOD</b>	Self-contained launcher for ground, air and maritime
<b>LETHALITY</b>	Precision strike with anti-armor warhead

## KEY FEATURES

- » Patented wave-off feature and recommit capability
- » Intuitive touch tablet controller
- » < 10 minute system setup and launch

### ALL-IN-ONE, MAN-PORTABLE, ANTI-ARMOR, SMART MISSILE SYSTEM



Best-in-Class Target Acquisition Sensor Suite



Anti-Armor Warhead



Self-Contained Tube-Launcher



Mission Planning on Tablet Controller

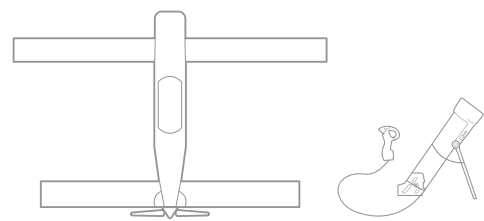


Integrated Training Simulator (T-sim)



Antenna and GCS

# SWITCHBLADE® 300 LOITERING MISSILE



**DIMENSIONS**  
Wingspan : 27 in (68.6 cm)  
Length: 19.5 in (49.5 cm)

**WEIGHT**  
AUR: 5.5 lb (2.5 kg)

**RANGE**  
10 km

**ENDURANCE**  
15 minutes

**SPEED**  
Cruise: 63 mph,  
Dash: 100 mph

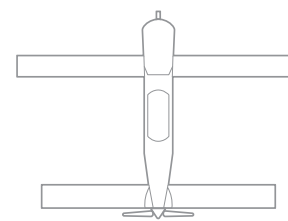
**EFFECTS ON TARGET**  
Anti-personnel effects

<b>GROUND CONTROL SYSTEM</b>	Interoperable with Common Ground Control Station for Puma™ AE, Raven® and Wasp® AE
<b>TARGETING OPTICS</b>	Dual front and side look EO cameras and IR nose camera, Stabilized electronic pan-tilt-zoom
<b>OPERATING ALTITUDE</b>	Below 500 ft AGL (ceiling >15,000 ft MSL)
<b>LAUNCH METHOD</b>	Self-contained ground launch and multipack
<b>LETHALITY</b>	Precision strike with Northrup Grumman advanced munition

## KEY FEATURES

- » Patented wave-off feature and recommit capability
- » Automated waypoint navigation
- » Backpackable
- » < 2 minute setup and launch

# BLACKWING™ LOITERING RECONNAISSANCE SYSTEM



**DIMENSIONS**  
Wingspan: 27 in (68.6 cm)  
Length: 19.5 in (49.5 cm)  
Diameter: 3 in (7.6 cm)

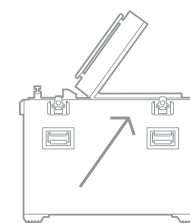
**WEIGHT**  
4 lb (1.8 kg)

<b>SENSORS</b>	Integrated EO/IR sensors—day/night operations
<b>LAUNCH METHOD</b>	Underwater-to-air delivery canister, tube, MPL

## KEY FEATURES

- » Rapid launch—rapid response ISR
- » C3 Tactical data relay—UAS to UUV
- » Modular payload

## MPL MULTIPACK LAUNCHER



**DIMENSIONS**  
36 in D x 30 in W x 36 in H

**WEIGHT**  
~130 lb empty,  
~160 lb loaded

<b>CONFIGURATIONS</b>	6-pack Standard (Alternates for 2-20 AURs possible)
<b>MOUNTING</b>	Hold downs for vehicle or ship board use
<b>POWER</b>	Solar panel and internal battery, Shore/TacVeh power augments to maintain internal operating temps
<b>CONTROL</b>	100 ft remote operation control cable (FOB/COP Ops Cell bunker/buildings, Tactical Vehicles, Ship CIC)

## KEY FEATURES

- » Compatible platforms—Switchblade® 300, Blackwing™
- » Rapid Reload—< 30 seconds per round
- » Low observable remote ops
- » Tactical Vehicle/MRAP