

Second edition

Deleted: First

Deleted: 2004-09-01¶

Formatted: Line spacing:
Exactly 10.5 pt

**Uranium dioxide powder — Determination
of apparent density and tap density**

*Poudre de dioxyde d'uranium — Détermination de la masse volumique
apparente et de la masse volumique après tassement*

Formatted: Font: 16 pt, Bold,
Check spelling and grammar

Deleted: Uranium dioxide
powder — Determination of
apparent density and tap
density

Formatted: Font: 9 pt, Check
spelling and grammar

Deleted: ISO 9161:2004(E)



Reference number
[ISO 9161:2004\(E\)](#)

© ISO 2004

PDF disclaimer

This PDF file may contain embedded typefaces. In accordance with Adobe's licensing policy, this file may be printed or viewed but shall not be edited unless the typefaces which are embedded are licensed to and installed on the computer performing the editing. In downloading this file, parties accept therein the responsibility of not infringing Adobe's licensing policy. The ISO Central Secretariat accepts no liability in this area.

Adobe is a trademark of Adobe Systems Incorporated.

Details of the software products used to create this PDF file can be found in the General Info relative to the file; the PDF-creation parameters were optimized for printing. Every care has been taken to ensure that the file is suitable for use by ISO member bodies. In the unlikely event that a problem relating to it is found, please inform the Central Secretariat at the address given below.

© ISO 2004

All rights reserved. Unless otherwise specified, no part of this publication may be reproduced or utilized in any form or by any means, electronic or mechanical, including photocopying and microfilm, without permission in writing from either ISO at the address below or ISO's member body in the country of the requester.

ISO copyright office
Case postale 56 • CH-1211 Geneva 20
Tel. + 41 22 749 01 11
Fax + 41 22 749 09 47
E-mail copyright@iso.org
Web www.iso.org

Published in Switzerland

Formatted: Font: 8 pt, Check spelling and grammar

Deleted: © ISO 2004 – All rights reserved

Contents

Page

Foreword	iv
Introduction.....	v
1 Scope	1
2 Terms and definitions	1
3 Principle.....	1
4 Apparatus.....	1
5 Sampling and samples.....	3
6 Procedure.....	3
7 Expression of results	5
8 Test report.....	5
Bibliography.....	6

Deleted: vi

Formatted: Font: 8 pt, Check spelling and grammar

Deleted: © ISO 2004 – All rights reserved

Deleted: ISO/CD 9161:201

Deleted: 0

Deleted: 4(E)

ISO 9161:2004(E)

Foreword

ISO (the International Organization for Standardization) is a worldwide federation of national standards bodies (ISO member bodies). The work of preparing International Standards is normally carried out through ISO technical committees. Each member body interested in a subject for which a technical committee has been established has the right to be represented on that committee. International organizations, governmental and non-governmental, in liaison with ISO, also take part in the work. ISO collaborates closely with the International Electrotechnical Commission (IEC) on all matters of electrotechnical standardization.

International Standards are drafted in accordance with the rules given in the ISO/IEC Directives, Part 2.

The main task of technical committees is to prepare International Standards. Draft International Standards adopted by the technical committees are circulated to the member bodies for voting. Publication as an International Standard requires approval by at least 75 % of the member bodies casting a vote.

Attention is drawn to the possibility that some of the elements of this document may be the subject of patent rights. ISO shall not be held responsible for identifying any or all such patent rights.

ISO 9161 was prepared by Technical Committee ISO/TC 85, *Nuclear energy*, Subcommittee SC 5, *Nuclear fuel cycle*.

Deleted: technology

This second edition cancels and replaces the first edition (ISO 9161:2004), which has been technically revised. The major changes in the second edition are as follows:

Formatted: Normal

- An Introduction has been added.
- Definitions have been updated.
- MORE

Formatted: Font: 8 pt, Check spelling and grammar

Deleted: © ISO 2004 – All rights reserved

Introduction

Uranium dioxide (UO₂) powder is produced for use in nuclear reactors by a variety of processes. For UO₂ powder to be used in the production of sintered pellets as a nuclear fuel, it must meet specifications in standards such as ASTM C753[5] or specifications supplied by the user. These specifications may include a requirement for apparent (or bulk) density, tap density, or both.

Formatted: Normal

Formatted: Subscript

ISO 9161 specifies a method for determination of the apparent density and tap density of free-flowing UO₂ powder, and can be used for a variety of powder types. The method can also be applied to other fuel powders, and to powder mixtures, to demonstrate compliance with appropriate specifications for those powders.

Formatted: Subscript

It has been assumed in the preparation of ISO 9161 that the execution of its provisions and the interpretation of the results obtained are entrusted to appropriately qualified and experienced people.

Formatted: Font: 8 pt, Check spelling and grammar

Deleted: © ISO 2004 – All rights reserved

Uranium dioxide powder — Determination of apparent density and tap density

1 Scope

This International Standard specifies a method of determining the apparent density and tap density of free-flowing uranium dioxide (UO₂) powder which will be used for pelleting and sintering of UO₂ pellets as a nuclear fuel.

This method can be used for different UO₂ powder types including grains, granules, spheres or other kinds of particles. The method can also be applied to other fuel powders as PuO₂, ThO₂ and powder mixtures as UO₂-PuO₂ and UO₂-Gd₂O₃.

2 Terms and definitions

For the purposes of this document, the following terms and definitions apply.

~~2.1~~
apparent density
~~bulk density~~
density of a powder obtained by free pouring under specified conditions

Deleted: 3

Formatted: Definition

~~2.2~~
tap density
density of a powder in a container that has been tapped under specified conditions

Deleted: 3

3 Principle

3.1 Apparent density

A portion of sample is allowed to fall through a funnel of standard dimensions into a tared density cup which is filled up to a mark which defines a distinct volume. The cup and contents are weighed and the apparent density is calculated from the mass and volume of the powder.

3.2 Tap density

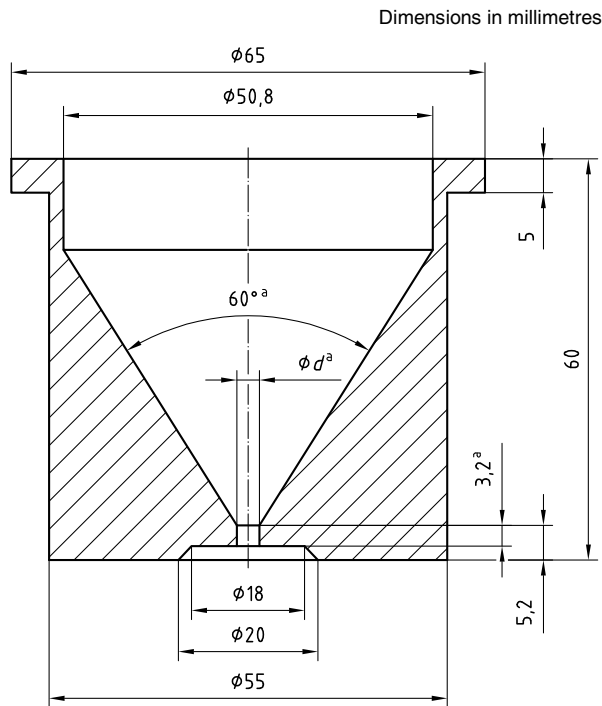
A calibrated density cup containing a weighed portion of sample is tapped by means of a special apparatus. The tapping conditions are fixed. The tap density is determined from the weight and volume of the powder after the treatment.

4 Apparatus

4.1 Powder flowmeter funnel, having an orifice diameter, d , of 2,5 mm, 5,0 mm, 10 mm or 15 mm, depending on the powder type, having a conical angle of 60° and some means of closing the orifice (see Figure 1).

Formatted: Font: 8 pt, Check spelling and grammar

Deleted: © ISO 2004 – All rights reserved

**Key**

$d^a = 2,5_{0}^{+0,2}, 5,0_{0}^{+0,2}, 10,0_{0}^{+0,2}$ or $15,0_{0}^{+0,2}$

^a These dimensions, in millimetres, are mandatory.

^b The symbol \varnothing represents diameter.

Figure 1 — Powder flowmeter funnel (according to Reference [1])

4.2 Density cup, a graduated cylindrical cup having a capacity of 10 cm³, 25 cm³, 50 cm³ or 100 cm³, depending on the powder type.

4.3 Tapping device, consisting, for example, of a baseplate which is tapped by a motor with worm drive and a cam shaft speed of $(250 \pm 15) \text{ min}^{-1}$ and enabling a tapping stroke travel of about 2 mm to 3 mm.

4.4 Adjustable counter, which can be preset to deliver a number of taps between 1 and 9 999.

4.5 Stand, to support the powder flowmeter concentric with the density cup so that the bottom of the powder flowmeter orifice is 50 mm above the mark of the density cup when the apparatus is assembled as shown in Figure 2.

Formatted: Font: 9 pt, Superscript

Formatted: Font: 9 pt

Formatted: Font: 9 pt

Formatted: Font: (Default) MS Shell Dlg 2, 8.5 pt, English (U.S.)

Formatted: Normal, Don't adjust right indent when grid is defined, Don't adjust space between Latin and Asian text, Don't adjust space between Asian text and numbers

Formatted: Font: 8 pt, Check spelling and grammar

Deleted: © ISO 2004 – All rights reserved

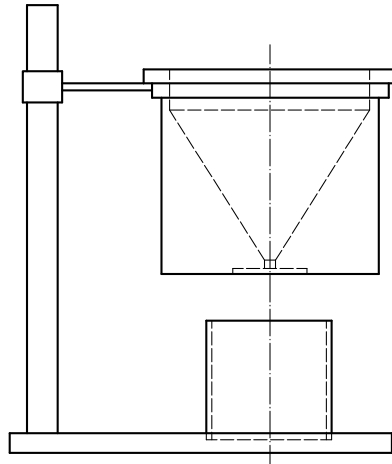


Figure 2 — Stand with powder flowmeter funnel and density cup (without tapping device)

4.6 Balance, having a capacity which is suitable for the chosen density cup and a sensitivity of 0,1 g or better.

NOTE 1 A flowmeter funnel, density cup and stand from the Alcan Ingot and Powders Div of Alcan Aluminium Corp, Box 290, Elisabeth, N. J. 07207, USA or an equivalent equipment (60°, diameter D) can be used. This information is given for the convenience of users of this International Standard and does not constitute an endorsement by ISO of the product named. Equivalent products may be used if they can be shown to lead to the same results.

NOTE 2 A device with the necessary other equipment as Tap-Pak Volumeter model No. JEL ST2 from J. Engelsmann AG, Ludwigshafen a. Rh., Fed. Rep. of Germany or an equivalent equipment can be used. This information is given for the convenience of users of this International Standard and does not constitute an endorsement by ISO of the product named. Equivalent products may be used if they can be shown to lead to the same results.

5 Sampling and samples

A representative laboratory test portion has to be taken from the UO₂ powder production batch to be characterized.

Measures have to be undertaken, if necessary, to prevent separation of the powder particle fractions or any change of properties during the transport of the powder.

The test portion size has to be sufficient to exceed the volume of the graduated density cup (approximately twice the volume of the density cup).

6 Procedure

6.1 Safety precautions

Standard precautions, including appropriate containment and personal protective equipment (PPE), shall be observed when handling uranium dioxide samples.

Formatted: Font: 8 pt, Check spelling and grammar

Deleted: © ISO 2004 – All rights reserved

6.2 Calibration

A calibration check of the balance, in accordance with ISO/IEC 17025 [5], which defines the frequency and the acceptable deviation, shall be made periodically.

Deleted: according to a control plan which defines the frequency and the acceptable deviation

6.3 Determination of the apparent density

6.3.1 Weigh the empty density cup (cylindrical container) and note its mass (m_1).

6.3.2 Adjust the funnel so that its axis coincides approximately with that of the cylinder, with the bottom of the funnel orifice at a height of about 25 mm above the brim of the density cup or of about 50 mm above the mark. Close the orifice of the funnel.

6.3.3 Fill the funnel with the test sample of UO₂ powder.

6.3.4 Open the orifice of the funnel so that the powder flows steadily into the density cup.

Fill the density cup up to the mark which defines the volume (V_1). Level the surface of the powder at this mark by carefully inclining the density cup and moving it back into vertical position. Precautions shall be taken to ensure that actions taken to level the surface of the powder do not cause packing of the powder, leading to an erroneous result.

Formatted: Subscript

Alternatively, fill the density cup which volume is measured up to the upper brim of the density cup. Use a spatula to remove powder which is over the brim of the density cup, to make the powder surface level at the open end of the density cup.

6.3.5 Pour the rest of the powder back into the sampling flask.

6.3.6 Determine the mass of the filled density cup in connection with the measurement of the density (m_2).

6.4 Determination of tapped density

6.4.1 Put the filled density cup (from determination of the apparent density, 6.3) onto the tapping device.

6.4.2 Adjust the counter to a suitable number of taps to obtain a constant powder volume (200 to 2 400 taps). The amplitude shall be about 2 mm to 3 mm. Record the number of taps and the tapping time.

Deleted: Take note of this

For new processes, the appropriate number of taps required to obtain a constant powder volume shall be determined. An example of how to do this is found in ASTM C1770.[6]

Formatted: Normal

6.4.3 Determine the volume of the UO₂ powder in the cylindrical container after tapping by means of the graduations and record this value (V_2).

6.4.4 Weigh the filled density cup and note its mass (m_3).

6.5 Repeated determinations

Repeat 6.3 and 6.4 with new powder test portions so that a total of three single determinations are made from each powder.

Deleted: in all

Formatted: Font: 8 pt, Check spelling and grammar

Deleted: © ISO 2004 – All rights reserved

7 Expression of results

7.1 Method of calculation

The apparent density before tapping of the UO₂ powder (ρ_a), in grams per cubic centimetre, is given by the expression:

$$\rho_a = \frac{m_2 - m_1}{V_1}$$

where

m_1 is the mass, in grams, of the empty density cup (6.3.1);

m_2 is the mass, in grams, of the filled density cup (6.3.6);

V_1 is the volume, in cubic centimetres, of the powder before tapping.

The tap density of the UO₂ powder (ρ_v), in grams per cubic centimetre, is given by the expression:

$$\rho_v = \frac{m_2 - m_1}{V_2}$$

where

V_2 is the volume, in cubic centimetres, of the UO₂ after tapping.

The final values for the apparent and the tap density are obtained by calculating the mean values of three determinations.

Formatted: Indent: First line: 0.71 cm

Deleted: $\rho_v = \frac{m_3 - m_1}{V_2}$

Deleted: ;

Deleted: m_3 is the mass, in grams, of the filled density cup after tapping.

7.2 Precision

The relative standard deviation for the determination depends mainly on the height of the density cup and can be under optimal conditions 0,6 % for the apparent density and 0,5 % for the tap density.

8 Test report

The test report shall include the following information:

- the reference to this International Standard (e.g., ISO 9161:-year of publication -);
- all details necessary for the identification of the test sample;
- the orifice diameter of the powder flowmeter funnel and the volume of the density cup used;
- the number of taps and tapping time;
- the results obtained, including estimated uncertainty;
- all operations not specified by this International Standard;
- the details of any occurrence which may have affected the results.

Deleted: 2004

Formatted: Font: 8 pt, Check spelling and grammar

Deleted: © ISO 2004 – All rights reserved

Deleted: ISO/CD 9161:201

Deleted: 0

Deleted: 4(E)

Bibliography

- [1] ISO 3923-1, *Metallic powders — Determination of apparent density — Part 1: Funnel method*
- [2] ISO 3953, *Metallic powders — Determination of tap density*
- [3] ISO 3252, *Powder metallurgy — Vocabulary*
- [4] ISO/IEC 17025, *General Requirements for the Competence of Testing and Calibration Laboratories*
- [5] ASTM C753, *Standard Specification for Nuclear-Grade, Sinterable Uranium Dioxide Powder*
- [6] ASTM C1770, *Standard Test Method for Determination of Loose and Tapped Bulk Density of Plutonium Oxide*

Formatted: Left, Indent: Left: 0 cm, Hanging: 1.11 cm

Formatted: Font: Italic

Formatted: Font: 8 pt, Check spelling and grammar

Deleted: © ISO 2004 – All rights reserved

Page 1: [1] Formatted	kh115	20/02/2015 10:45:00
------------------------------	--------------	----------------------------

Font: 8 pt, Check spelling and grammar

Page iii: [2] Deleted	kh115	20/02/2015 10:45:00
------------------------------	--------------	----------------------------

ISO/CD 9161:201